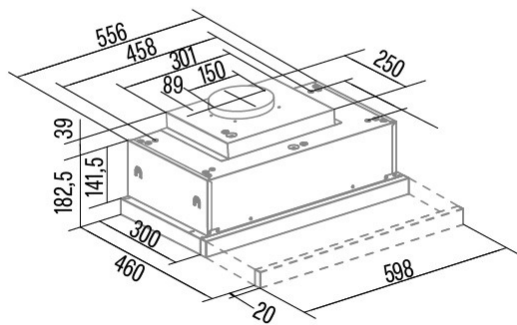
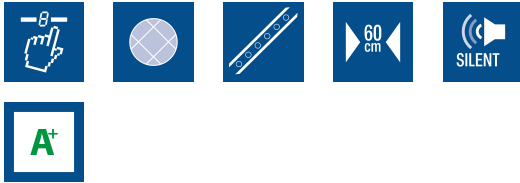




TFH 6630 X

Cod. 02010300

EAN 8422248082365



INFORMACIÓN GENERAL

EAN/UPC	8422248082365
Subfamily	Telescopic

Product fiche according to directives EU65/2014 - EN61591, EN60704-2-13, EN50564

AEC (Energy consumption per year) (kWh/año)	19,3
EEl class (Energy efficiency class)	A+
FDE (Fluid dynamic efficiency)	34,4
FDE class (Fluid dynamic efficiency class)	A
LE (Light efficiency) (lux/W)	21,9
LE class (Light efficiency class)	B
GFE (Grease filtering efficiency)	66,4
GFE Class (Grease filtering efficiency class)	D
Normal mode airflow MIN (m3/h)	212
Normal mode airflow MAX (m3/h)	407
Boost mode airflow (m3/h)	585
Normal mode acoustic power MIN (dB)	47
Normal mode acoustic power MAX (dB)	64
Boost mode acoustic power (dB)	70
Po (Off-mode power consumption) (W)	0,4
Ps (Stand-by power consumption) (W)	0

Integration directive EU 66/2014

f (Factor Increase in the time)	0,8
EEl (Energy efficiency Index)	39,2
QBEP (Maximum airflow point efficiency) (m3/h)	275,2
PBEP (Maximum pressure point efficiency) (Pa)	263
WBEP (Electrical power consumption at maximum efficiency) (W)	58,6
WL (Rated power lighting system) (W)	3
EMIDDLE (Average illuminance on the cooking surface) (lux)	67

External Dimensions

Width (mm)	600
Depth (mm)	300
Maximum Total Height (mm)	221,5
Minimum Total Height (mm)	221,5
Outlet Diameter (mm)	150

Characteristics

Motor Quantity	1
Motor Model	T1DC
Maximum Pressure (Pa)	250
Filter Technology	Aluminium mesh
Control Tecnology	Electronic Touch Control
Booster	√
Power levels	6
Timer	√
Filter Saturation Indicator	√
Charcoal Filter Change Indicator	-
Dimmer Function	√
Connectivity	-
Remote control	-
Display	Display_grafico

Lighting

Light Model	SSLED
Lightning Technology	LED

Installation

Minimum distance to an electric cooktop (mm)	550
--	-----

Minimum distance to a gas cooktop (mm)	650
Recirculation Option	√
Charcoal Filter	-
Back Draught Shutter	-
Inner shield	-

Electric Connection

Rated voltage (V)	220-240
Rated frequency (Hz)	50
Rated power input (W)	93
Protection against electric shock	Class I
Power cord length (m)	0,7
Plug type	No plug

Accessories

Upper Decorative Duct Extension	No
White Decorative Duct	No
Black Decorative Duct	No
Island Tube Enhancer	No
Back Draught Shutter	2832004
MAX PRO Metal Filter	No
Active Charcoal Filter	02859394
Noiseless Flexible Duct	2893002
Recirculating kit	No
