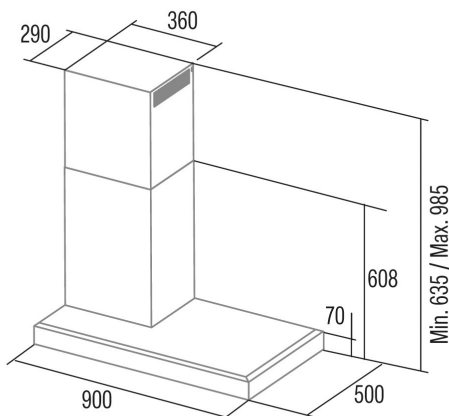




# GALA 900 L

Cod. 02169304

EAN 8422248355575



## INFORMACIÓN GENERAL

EAN/UPC	8422248355575
Subfamily	Corner

### Product fiche according to directives EU65/2014 - EN61591, EN60704-2-13, EN50564

AEC (Energy consumption per year) (kWh/año)	53,6
EEL class (Energy efficiency class)	A
FDE (Fluid dynamic efficiency)	30,7
FDE class (Fluid dynamic efficiency class)	A
LE (Light efficiency) (lux/W)	23,1
LE class (Light efficiency class)	B
GFE (Grease filtering efficiency)	91,2
GFE Class (Grease filtering efficiency class)	B
Normal mode airflow MIN (m3/h)	340
Normal mode airflow MAX (m3/h)	600
Boost mode airflow (m3/h)	802
Normal mode acoustic power MIN (dB)	50
Normal mode acoustic power MAX (dB)	65
Boost mode acoustic power (dB)	67
Po (Off-mode power consumption) (W)	0,48
Ps (Stand-by power consumption) (W)	0,48

### Integration directive EU 66/2014

f (Factor Increase in the time)	0,9
EEL (Energy efficiency Index)	52,1
QBEP (Maximum airflow point efficiency) (m3/h)	443,1
PBEP (Maximum pressure point efficiency) (Pa)	427,1
WBEP (Electrical power consumption at maximum efficiency) (W)	171
WL (Rated power lighting system) (W)	3
EMIDDLE (Average illuminance on the cooking surface) (lux)	69

### External Dimensions

Width (mm)	900
Depth (mm)	500
Maximum Total Height (mm)	985
Minimum Total Height (mm)	635
Outlet Diameter (mm)	150, 125

### Characteristics

Motor Quantity	1
Motor Model	BT3
Maximum Pressure (Pa)	470
Control Technology	Mechanical push button
Booster	√
Power levels	4
Timer	√
Filter Saturation Indicator	√
Charcoal Filter Change Indicator	√
Dimmer Function	√
Connectivity	No
Remote control	-

### Lighting

Light Model	ECOLED STRIP
Lighting Technology	LED

### Installation

Minimum distance to an electric cooktop (mm)	550
Minimum distance to a gas cooktop (mm)	650
Recirculation Option	√

Charcoal Filter	√
Back Draught Shutter	No
Inner shield	-

---

**Electric Connection**

Rated voltage (V)	220-240
Rated frequency (Hz)	50
Rated power input (W)	285
Protection against electric shock	Class II
Plug type	Type A

---

**Accessories**

MAX PRO Metal Filter	02800917
Active Charcoal Filter	02859392
Noiseless Flexible Duct	02893002

---