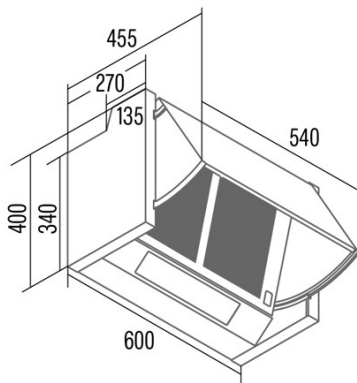


CPK 6000 GR

Cod. 02025003

EAN

8422248357166



GENERAL INFORMATION

EAN/UPC	8422248357166
Subfamily	Integrated

Product sheet according to directives EU65/2014 - EN61591, EN60704-2-13, EN50564

AEC (Annual energy consumption) (kWh/year)	24
EEl class (energy efficiency class)	B
FDE (fluid dynamic efficiency)	18,4
FDE class (fluid dynamic efficiency class)	C
LE (light efficiency) (Lux/W)	15,5
LE class (light efficiency class)	D
GFE (grease filtering efficiency)	51,9
GFE class (grease filtering efficiency class)	F
Airflow in normal mode MIN (m3/h)	140
Airflow in normal mode MAX (m3/h)	265
Acoustic power in normal mode MIN (dB)	50
Acoustic power in normal mode MAX (dB)	63
Po (energy consumption in off mode) (W)	0
Ps (energy consumption in standby mode) (W)	0

Integration directive EU 66/2014

f (time increase factor)	1,3
EEl (Energy Efficiency Index)	56,7
QBEP (maximum efficiency at air flow point) (m3/h)	150
PBEP (maximum efficiency at pressure point) (Pa)	202,5
WBEP (power consumption at maximum efficiency) (W)	46
WL (nominal power lighting system) (W)	3
EMIDDLE (Average illuminance on the cooking surface) (lux)	46,5

External Dimensions

Width (mm)	600
Depth (mm)	270
Maximum total height (mm)	400
Minimum total height (mm)	400
Diamètre de sortie (mm)	120

Characteristics

Motor quantity	1
Motor model	K11 250
Maximum pressure (Pa)	224
Filter technology	Malla
Control technology	Mechanical slider
Booster	-
Power levels	3
Timer	-
Filter saturation indicator	-
Charcoal filter replacement indicator	-
Dimmer function	-
Connectivity	No
Remote control	-
Display	-

Lighting

Light model	LED E-14
Ray technology	LED

Installation

Minimum distance to electric plate (mm)	550
Minimum distance to gas plate (mm)	650
Recirculation option	-
Back draught shutter	No

Inner shield	√
--------------	---

Electric connection

Nominal voltage (V)	220-240
Nominal frequency (Hz)	50
Nominal input power (W)	68
Electric shock protection	Class II
Plug type	No plug

Accessories

Back draught shutter	'02849003
Activated charcoal filter	'02849489
