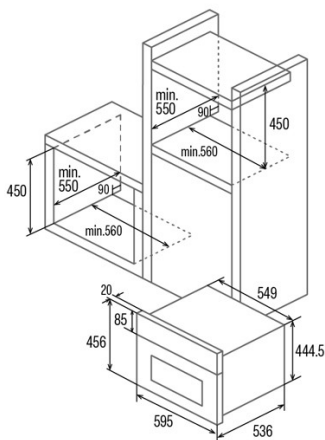




MD 5007 WH

Cod. 07003003

EAN 8422248372893



GENERAL INFORMATION

| | |
|-----------|---------------|
| EAN/UPC | 8422248372893 |
| Subfamily | Compact |

Product sheet

| | |
|--|-------------|
| Energy Efficiency Index (EEI) | 97,2 |
| Energy efficiency class | A |
| Energy consumption in fan mode (kWh/cycle) | 0,76 |
| Heat source | Electricity |
| Number of cavities | 1 |
| Cavity volume (L) | 44 |

Controls

| | |
|---------------------|---|
| Control type | Mechanical |
| Number of functions | 7 |
| Functions | Top_and_bottom_heating_with_fan;Double grill with fan;Grill;Top and bottom heating;Double Grill |
| Timer | Electronic |

Characteristics

| | |
|------------------------|-----------|
| Enamel | Pyrolytic |
| Light type | LED |
| Bulb power [W] | 1 |
| Number of door glasses | 3 |

Electrical connection

| | |
|---------------------------|---------|
| Turbocharger power [W] | 2380 |
| Nominal voltage (V) | 220-240 |
| Nominal frequency (Hz) | 50/60 |
| Nominal input power (W) | 2000 |
| Electric shock protection | Class I |

Accessories

| | |
|-----------|---|
| Deep tray | √ |
|-----------|---|