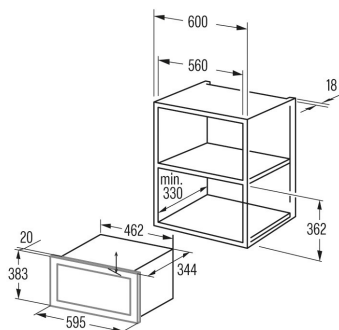




MMA 20 WH

Cod. 07510003

EAN 8422248077187



GENERAL INFORMATION

EAN/UPC	8422248077187
Subfamily	Built-in

Dimensions

Cavity height [mm]	595
Cavity width [mm]	388
Cavity depth [mm]	347
Cavity capacity [L]	20
Cavity type	Stainless steel
Width (mm)	218
Height (mm)	295
Depth (mm)	314
Built-in width (mm)	560
Inner height (mm)	362
Built-in depth (mm)	330

Characteristics

Installation type	Built_in
Door opening system	Push button
Inside the light	√

Control

Control type	Mechanic
Display	No
Display colour	No
Timer	Mechanic
Maximum timer setting [mins.]	35
Start/Stop button	-
Power selector	√
Function selector	-
Temperature selector	-
Weight selector	-
Number of functions	9
Functions	Simultaneous_grill_microwave;Defrostin

Safety

Safety thermostat	√
Automatic safety disconnection	-
Child lock	-
Number of glasses in the door	1

Power connection

Grill power [kW]	1
Microwave power [W]	800
Nominal power [W]	1250
Voltage [V]	230
Frequency [Hz]	50
Power cord length [m]	1000
Plug type	Type F

Accessories

Built in frame	Integrated with frame
Ventilation kit	-
Removable rotatory glass	√
Diameter of the glass dish [mm]	245