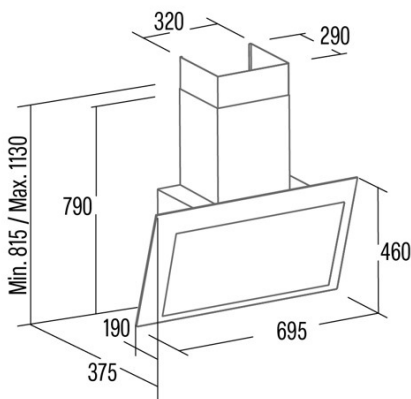




THALASSA EVO NO DRIP 700 GBK

Cod. 02137409

EAN 8422248356480



GENERAL INFORMATION

| | |
|-----------|---------------|
| EAN/UPC | 8422248356480 |
| Subfamily | Angle Glass |

Product sheet according to directives EU65/2014 - EN61591, EN60704-2-13, EN50564

| | |
|---|--------|
| AEC (Annual energy consumption) (kWh/year) | 28,8 |
| EEl class (energy efficiency class) | A++ |
| FDE (fluid dynamic efficiency) | 41,7 |
| FDE class (fluid dynamic efficiency class) | A |
| LE (light efficiency) (Lux/W) | 21 |
| LE class (light efficiency class) | B |
| GFE (grease filtering efficiency) | 85,3 |
| GFE class (grease filtering efficiency class) | B |
| Airflow in normal mode MIN (m3/h) | 300,2 |
| Airflow in normal mode MAX (m3/h) | 624,1 |
| Airflow in boost mode MIN (m3/h) | 1016,5 |
| Acoustic power in normal mode MIN (dB) | 44,6 |
| Acoustic power in normal mode MAX (dB) | 62,1 |
| Acoustic power boost mode (dB) | 72,7 |
| Po (energy consumption in off mode) (W) | 0 |
| Ps (energy consumption in standby mode) (W) | 0,35 |

Integration directive EU 66/2014

| | |
|--|-------|
| f (time increase factor) | 0,5 |
| EEl (Energy Efficiency Index) | 33 |
| QBEP (maximum efficiency at air flow point) (m3/h) | 481,5 |
| PBEP (maximum efficiency at pressure point) (Pa) | 380 |
| WBEP (power consumption at maximum efficiency) (W) | 122 |
| WL (nominal power lighting system) (W) | 9 |
| EMIDDLE (Average illuminance on the cooking surface) (lux) | 187 |

External Dimensions

| | |
|---------------------------|------|
| Width (mm) | 700 |
| Depth (mm) | 375 |
| Maximum total height (mm) | 1130 |
| Minimum total height (mm) | 815 |
| Diamètre de sortie (mm) | 150 |

Characteristics

| | |
|---------------------------------------|--------------------------|
| Motor quantity | 1 |
| Motor model | BT5DC-1000 |
| Filter technology | Aluminium mesh |
| Control technology | Electronic Touch Control |
| Booster | √ |
| Power levels | 6 |
| Timer | √ |
| Filter saturation indicator | √ |
| Charcoal filter replacement indicator | √ |
| Dimmer function | √ |
| Connectivity | √ |
| Remote control | - |
| Display | Display |

Lighting

| | |
|----------------|---------------|
| Light model | SSLED BICOLOR |
| Ray technology | LED |

Installation

| | |
|---|-----|
| Minimum distance to electric plate (mm) | 550 |
| Minimum distance to gas plate (mm) | 650 |
| Recirculation option | √ |

| | |
|----------------------|---|
| Charcoal filter | √ |
| Back draught shutter | - |
| Inner shield | - |

Electric connection

| | |
|---------------------------|----------|
| Nominal voltage (V) | 220-240 |
| Nominal frequency (Hz) | 50/60 |
| Nominal input power (W) | 259 |
| Electric shock protection | Class II |
| Power cord length (m) | 1 |
| Plug type | No plug |

Accessories

| | |
|---------------------------------|----------|
| Upper decorative duct extension | 02861300 |
| White decorative duct | 02861001 |
| Black decorative duct | 02861401 |
| Back draught shutter | 02832004 |
| Activated charcoal filter | 02859398 |
| Noiseless flexible duct | 02893002 |
| Recirculation kit | 02800013 |
