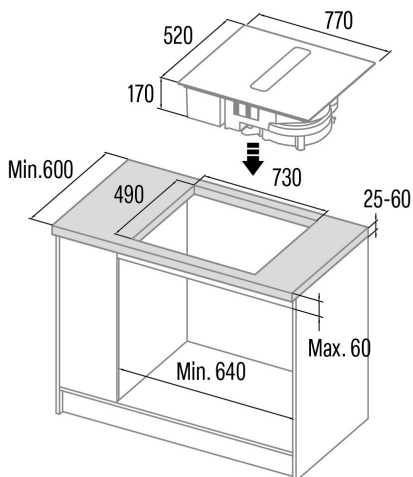


IAS 7024

Cod. 08000200

EAN 8422248358699



GENERAL INFORMATION

EAN/UPC	8422248358699
Subfamily	Flow-in

Product sheet

Number of cooking zones	4
Zone 1: Position	Front Right
Zone 1: Zone diameter (mm)	21
Zone 1: Power (kW)	2,2
Zone 1: Booster (kW)	3
Zone 1: Consumption (Wh / kg)	190,8
Zone 2: Position	Rear Right
Zone 2: Zone diameter (mm)	21
Zone 2: Power (kW)	2,2
Zone 2: Booster (kW)	2,6
Zone 2: Consumption (Wh / kg)	190,8
Zone 3: Position	Front Left
Zone 3: Zone diameter (mm)	21
Zone 3: Power (kW)	2,2
Zone 3: Booster (kW)	3
Zone 3: Consumption (Wh / kg)	190,8
Zone 4: Technology	Induction
Zone 4: Type of zone	Rectangular Flexible
Zone 4: Position	Rear Left
Zone 4: Zone diameter (mm)	21
Zone 4: Power (kW)	2,2
Zone 4: Booster (kW)	2,6
Zone 4: Consumption (Wh / kg)	190,8

Dimensions

Width (mm)	770
Height (mm)	170
Depth (mm)	520
Built-in width (mm)	730
Built-in depth (mm)	490

Finishing

Material	Glass
Bevel	Front

Control

Control type	Mono Slider
Control position	Front Centre
Power levels	9 + Booster
Countdown alarm	✓
Power management	✓

Safety

Safety lock	✓
Residual heat indicator	✓
Automatic cookware detection	✓
Smart cookware detection	✓
Automatic safety shutdown	✓
Liquid spill detection	✓

Electrical connection

Nominal voltage (V)	220-240
Nominal frequency (Hz)	50/60
Plug type	No plug

