



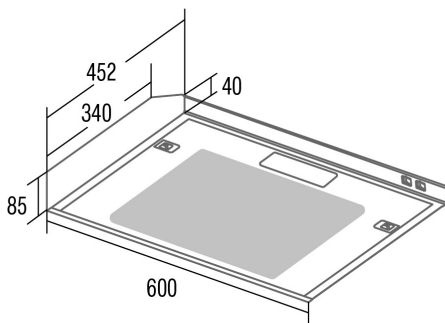
CONVENTIONAL EXTRACTOR HOODS



LFK 6000 X

Cod. **02011602**

EAN **8422248357180**



GENERAL INFORMATION

EAN/UPC	8422248357180
Subfamily	Conventional

Product sheet according to directives EU65/2014 - EN61591, EN60704-2-13, EN50564

AEC (Annual energy consumption) (kWh/year)	29,6
EEl class (energy efficiency class)	B
FDE (fluid dynamic efficiency)	11,5
FDE class (fluid dynamic efficiency class)	E
LE (light efficiency) (Lux/W)	15,5
LE class (light efficiency class)	D
GFE (grease filtering efficiency)	67,7
GFE class (grease filtering efficiency class)	D
Airflow in normal mode MIN (m3/h)	108
Airflow in normal mode MAX (m3/h)	162
Acoustic power in normal mode MIN (dB)	49
Acoustic power in normal mode MAX (dB)	58
Po (energy consumption in off mode) (W)	0
Ps (energy consumption in standby mode) (W)	0

Integration directive EU 66/2014

f (time increase factor)	1,6
EEl (Energy Efficiency Index)	69,2
QBEP (maximum efficiency at air flow point) (m3/h)	91,5
PBEP (maximum efficiency at pressure point) (Pa)	211,9
WBEP (power consumption at maximum efficiency) (W)	47
WL (nominal power lighting system) (W)	3
EMIDDLE (Average illuminance on the cooking surface) (lux)	46,5

External Dimensions

Width (mm)	600
Depth (mm)	425
Maximum total height (mm)	85
Minimum total height (mm)	85
Diamètre de sortie (mm)	120

Characteristics

Motor quantity	1
Motor model	L1B
Maximum pressure (Pa)	318
Filter technology	Achrylic
Control technology	Mechanical rocker switch
Booster	-
Power levels	3
Timer	-
Filter saturation indicator	-
Charcoal filter replacement indicator	-
Dimmer function	-
Connectivity	-
Remote control	-
Display	-

Lighting

Light model	LED E-14
Ray technology	LED

Installation

Minimum distance to electric plate (mm)	550
Minimum distance to gas plate (mm)	650
Recirculation option	√
Charcoal filter	-

Back draught shutter	-
Inner shield	-

Electric connection

Nominal voltage (V)	220-240
Nominal frequency (Hz)	50
Nominal input power (W)	65,5
Electric shock protection	Class I
Plug type	No plug

Accessories

Upper decorative duct extension	No
White decorative duct	No
Black decorative duct	No
Island tube booster	No
Back draught shutter	'02849002
Activated charcoal filter	'02846764
