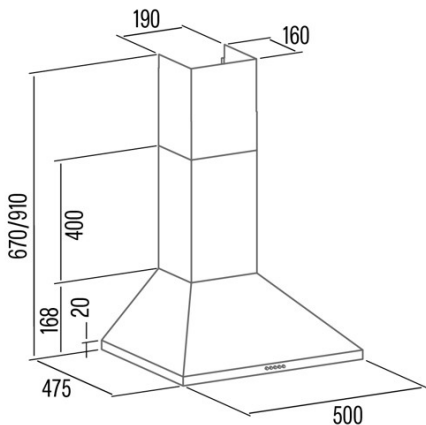




CAMPANA, VK 5000 X

Cod. 02088307

EAN 8422248371216



GENERAL INFORMATION

| | |
|-----------|---------------|
| EAN/UPC | 8422248371216 |
| Subfamily | Angle Glass |

Product sheet according to directives EU65/2014 - EN61591, EN60704-2-13, EN50564

| | |
|---|-------|
| AEC (Annual energy consumption) (kWh/year) | 26,2 |
| EEl class (energy efficiency class) | A |
| FDE (fluid dynamic efficiency) | 28,4 |
| FDE class (fluid dynamic efficiency class) | A |
| LE (light efficiency) (Lux/W) | 67 |
| LE class (light efficiency class) | A |
| GFE (grease filtering efficiency) | 70,1 |
| GFE class (grease filtering efficiency class) | D |
| Airflow in normal mode MIN (m3/h) | 174,3 |
| Airflow in normal mode MAX (m3/h) | 477,3 |
| Acoustic power in normal mode MIN (dB) | 56 |
| Acoustic power in normal mode MAX (dB) | 69 |
| Po (energy consumption in off mode) (W) | 0 |

Integration directive EU 66/2014

| | |
|--|-------|
| EEl (Energy Efficiency Index) | 49,2 |
| QBEP (maximum efficiency at air flow point) (m3/h) | 258,8 |
| PBEP (maximum efficiency at pressure point) (Pa) | 260 |
| WBEP (power consumption at maximum efficiency) (W) | 65,9 |
| WL (nominal power lighting system) (W) | 3 |
| EMIDDLE (Average illuminance on the cooking surface) (lux) | 200 |

External Dimensions

| | |
|-------------------------|-----|
| Diamètre de sortie (mm) | 150 |
|-------------------------|-----|

Characteristics

| | |
|-----------------------------|------------------------|
| Motor model | K10 390 A |
| Control technology | Mechanical push button |
| Power levels | 3 |
| Filter saturation indicator | - |

Lighting

| | |
|----------------|-------|
| Light model | SSLED |
| Ray technology | LED |

Electric connection

| | |
|---------------------------|----------|
| Nominal voltage (V) | 220-240 |
| Nominal frequency (Hz) | 50/60 |
| Electric shock protection | Class II |
| Plug type | No plug |