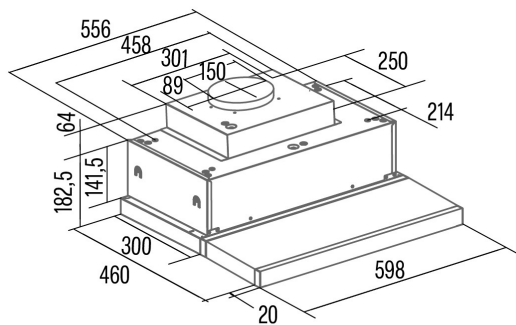




TFH 6830 GBK

Cod. **02010404**

EAN **8422248357364**



GENERAL INFORMATION

EAN/UPC	8422248357364
Subfamily	Telescopic

Product sheet according to directives EU65/2014 - EN61591, EN60704-2-13, EN50564

AEC (Annual energy consumption) (kWh/year)	16,6
EEL class (energy efficiency class)	A+++
FDE (fluid dynamic efficiency)	41,11
FDE class (fluid dynamic efficiency class)	A
LE (light efficiency) (Lux/W)	22,6
LE class (light efficiency class)	B
GFE (grease filtering efficiency)	66,4
GFE class (grease filtering efficiency class)	D
Airflow in normal mode MIN (m3/h)	291
Airflow in normal mode MAX (m3/h)	600
Airflow in boost mode MIN (m3/h)	795
Acoustic power in normal mode MIN (dB)	46
Acoustic power in normal mode MAX (dB)	64
Acoustic power boost mode (dB)	69
Po (energy consumption in off mode) (W)	0,3

Integration directive EU 66/2014

<i>f</i> (time increase factor)	0,5
QBEP (maximum efficiency at air flow point) (m3/h)	332,82
PBEP (maximum efficiency at pressure point) (Pa)	251,41
WBEP (power consumption at maximum efficiency) (W)	79,03
WL (nominal power lighting system) (W)	3
EMIDDLE (Average illuminance on the cooking surface) (lux)	79

External Dimensions

Width (mm)	600
Depth (mm)	221,5
Maximum total height (mm)	350
Minimum total height (mm)	300
Diamètre de sortie (mm)	150

Characteristics

Motor quantity	1
Motor model	BT4DC
Maximum pressure (Pa)	357
Control technology	Electronic Touch Control
Booster	√
Power levels	6
Filter saturation indicator	√

Lighting

Light model	SSLED
Ray technology	LED

Installation

Minimum distance to electric plate (mm)	550
Minimum distance to gas plate (mm)	650
Recirculation option	√

Electric connection

Nominal voltage (V)	220-240
Nominal frequency (Hz)	50/60
Nominal input power (W)	138
Electric shock protection	Class I

Accessories

Back draught shutter	02832004
Activated charcoal filter	02859318
Noiseless flexible duct	02893002