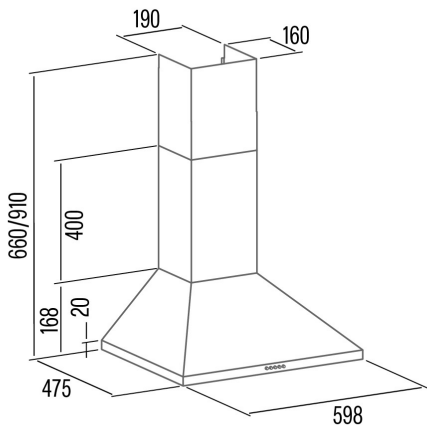




# VK 6000 X

Cod. 02061606

EAN 8422248357012



## GENERAL INFORMATION

|           |               |
|-----------|---------------|
| EAN/UPC   | 8422248357012 |
| Subfamily | Chimney       |

### Product sheet according to directives EU65/2014 - EN61591, EN60704-2-13, EN50564

|   |      |
|---|------|
| AEC (Annual energy consumption) (kWh/year)    | 24,8 |
| EEl class (energy efficiency class)           | A    |
| FDE (fluid dynamic efficiency)                | 28,5 |
| FDE class (fluid dynamic efficiency class)    | B    |
| LE (light efficiency) (Lux/W)                 | 31,6 |
| LE class (light efficiency class)             | A    |
| GFE (grease filtering efficiency)             | 71,4 |
| GFE class (grease filtering efficiency class) | D    |
| Airflow in normal mode MIN (m3/h)             | 166  |
| Airflow in normal mode MAX (m3/h)             | 395  |
| Acoustic power in normal mode MIN (dB)        | 49   |
| Acoustic power in normal mode MAX (dB)        | 67   |
| Po (energy consumption in off mode) (W)       | 0    |

### Integration directive EU 66/2014

|  |       |
|--|-------|
| f (time increase factor)                                   | 1     |
| EEl (Energy Efficiency Index)                              | 48,5  |
| QBEP (maximum efficiency at air flow point) (m3/h)         | 255,1 |
| PBEP (maximum efficiency at pressure point) (Pa)           | 249,1 |
| WBEP (power consumption at maximum efficiency) (W)         | 62    |
| WL (nominal power lighting system) (W)                     | 3     |
| EMIDDLE (Average illuminance on the cooking surface) (lux) | 95    |

### External Dimensions

|                           |     |
|---------------------------|-----|
| Width (mm)                | 600 |
| Depth (mm)                | 475 |
| Maximum total height (mm) | 910 |
| Minimum total height (mm) | 670 |
| Diamètre de sortie (mm)   | 150 |

### Characteristics

|                                       |                        |
|---------------------------------------|------------------------|
| Motor quantity                        | 1                      |
| Motor model                           | K10 390 A              |
| Maximum pressure (Pa)                 | 290,8                  |
| Filter technology                     | Aluminium mesh         |
| Control technology                    | Mechanical push button |
| Booster                               | -                      |
| Power levels                          | 3                      |
| Timer                                 | -                      |
| Filter saturation indicator           | -                      |
| Charcoal filter replacement indicator | -                      |
| Dimmer function                       | -                      |
| Connectivity                          | No                     |
| Remote control                        | -                      |
| Display                               | -                      |

### Lighting

|                |       |
|----------------|-------|
| Light model    | CSLED |
| Ray technology | LED   |

### Installation

|   |     |
|---|-----|
| Minimum distance to electric plate (mm) | 650 |
| Minimum distance to gas plate (mm)      | 650 |
| Recirculation option                    | -   |
| Charcoal filter                         | -   |
| Back draught shutter                    | No  |

Inner shield -

---

**Electric connection**

|                           |          |
|---------------------------|----------|
| Nominal voltage (V)       | 220-240  |
| Nominal frequency (Hz)    | 50       |
| Nominal input power (W)   | 100      |
| Electric shock protection | Class II |
| Plug type                 | No plug  |

---

**Accessories**

|                                 |           |
|---------------------------------|-----------|
| Upper decorative duct extension | '02862302 |
| Back draught shutter            | '02832004 |
| MAX PRO Metal filter            | '02800917 |
| Activated charcoal filter       | '02859489 |
| Noiseless flexible duct         | '02893002 |

---