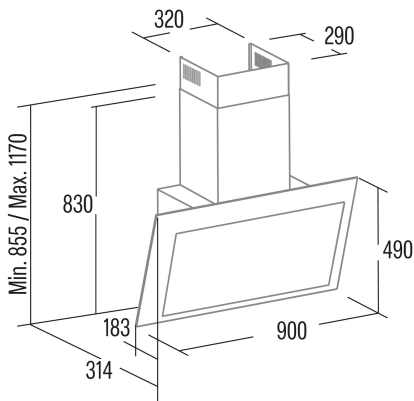
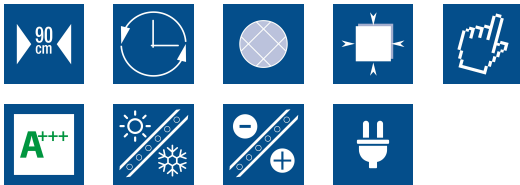




VNV90 XGBK

Cod. 02159420

EAN 8422248343077



GENERAL INFORMATION

| | |
|-----------|---------------|
| EAN/UPC | 8422248343077 |
| Subfamily | Angle Glass |

Product sheet according to directives EU65/2014 - EN61591, EN60704-2-13, EN50564

| | |
|--|--------|
| EI class (energy efficiency class) | A3plus |
| FDE class (fluid dynamic efficiency class) | A3plus |
| LE class (light efficiency class) | A3plus |

External Dimensions

| | |
|---------------------------|----------|
| Width (mm) | 900 |
| Depth (mm) | 314 |
| Maximum total height (mm) | 1170 |
| Minimum total height (mm) | 855 |
| Diamètre de sortie (mm) | 150, 125 |

Characteristics

| | |
|---------------------------------------|-----------------|
| Motor quantity | 1 |
| Motor model | BT4DC |
| Maximum pressure (Pa) | 357 |
| Control technology | TFT |
| Booster | √ |
| Power levels | 6 |
| Timer | √ |
| Filter saturation indicator | √ |
| Charcoal filter replacement indicator | √ |
| Connectivity | √ |
| Display | Display_grafico |

Lighting

| | |
|----------------|---------------|
| Light model | SSLED BICOLOR |
| Ray technology | LED |

Installation

| | |
|---|-----|
| Minimum distance to electric plate (mm) | 400 |
| Minimum distance to gas plate (mm) | 650 |
| Recirculation option | √ |

Electric connection

| | |
|---------------------------|---------|
| Nominal voltage (V) | 220-240 |
| Nominal frequency (Hz) | 50 |
| Nominal input power (W) | 143 |
| Electric shock protection | Class I |