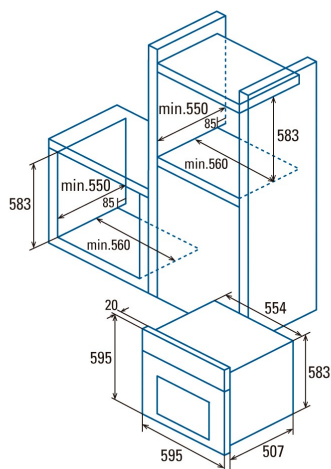




## MD 6106 X

Cod. 07033303

EAN 8422248076029



### GENERAL INFORMATION

EAN/UPC	8422248076029
Subfamily	Multifunction

### Product sheet

Energy Efficiency Index (EEI)	106,6
Energy efficiency class	A
Energy consumption in conventional mode (kWh/cycle)	0,82
Energy consumption in fan mode (kWh/cycle)	0,79
Heat source	Electricity
Appliance mass [Kg]	28
Number of cavities	1
Cavity volume (L)	60

### Dimensions

Width (mm)	595
Height (mm)	595
Depth (mm)	507
Built-in width (mm)	560
Built-in height (mm)	583
Built-in depth (mm)	550

### Controls

Control type	Touch control
Display	No
Number of functions	6
Functions	Double_grill_with_fan; Double Grill; Grill; Top and bottom heating; Bottom heating with fan; Top and bottom heating with fan
Timer	Electronic
On/off indicator	-
Thermostat indicator	√
Minimum temperature [°C]	50
Maximum temperature [°C]	250
Thermal probe	-

### Characteristics

Cleaning	Aquasmart Manual
Enamel	Black
Drop down grill	-
Removable inner glass	√
Number of light bulbs	15
Bulb power [W]	1
Number of door glasses	2
Manual door lock	-
Soft close	-
Cavity type	Embossed
Side racks	-
Levels	5
Telescopic guides	No
Convection fan	√

### Safety

Cooling fan	√
Overheating protection	√
Automatic safety shutdown	√
Pyrolysis door lock	-
Pyrolysis lock indicator	-

### Electrical connection

Power of the upper heating element [W]	900
--	-----

Lower power of the heating element [W]	1100
Nominal voltage (V)	220-240
Nominal frequency (Hz)	50/60
Nominal input power (W)	2180
Electric shock protection	Class I
Power cord length (m)	1,4
Plug type	No plug

#### **Accessories**

Flat tray	√
Deep tray	-
Steam tray	-
Grill	√
Inner grill	-
Telescopic guides	-
Tray handle	-
Removable tank	-
Pizza stone	-
Roast kit	-