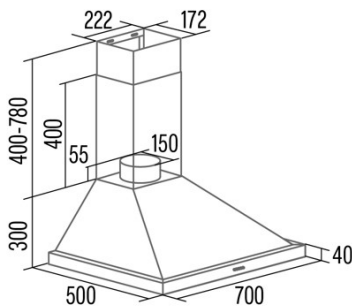




# BETA PRO 7000 X

Cod. 02075417

EAN 8422248371520



## GENERAL INFORMATION

EAN/UPC	8422248371520
Subfamily	Chimney

### Product sheet according to directives EU65/2014 - EN61591, EN60704-2-13, EN50564

AEC (Annual energy consumption) (kWh/year)	64,1
EEl class (energy efficiency class)	A
FDE (fluid dynamic efficiency)	29,2
FDE class (fluid dynamic efficiency class)	A
LE (light efficiency) (Lux/W)	34
LE class (light efficiency class)	A
GFE (grease filtering efficiency)	75,5
GFE class (grease filtering efficiency class)	C
Airflow in normal mode MIN (m3/h)	407
Airflow in normal mode MAX (m3/h)	564
Airflow in boost mode MIN (m3/h)	971
Acoustic power in normal mode MIN (dB)	65
Acoustic power in normal mode MAX (dB)	72
Acoustic power boost mode (dB)	75
Po (energy consumption in off mode) (W)	0
Ps (energy consumption in standby mode) (W)	0,48

### Integration directive EU 66/2014

f (time increase factor)	0,9
EEl (Energy Efficiency Index)	53,5
QBEP (maximum efficiency at air flow point) (m3/h)	441,8
PBEP (maximum efficiency at pressure point) (Pa)	443
WBEP (power consumption at maximum efficiency) (W)	186,1
WL (nominal power lighting system) (W)	4,1
EMIDDLE (Average illuminance on the cooking surface) (lux)	139,5

### External Dimensions

Width (mm)	700
Depth (mm)	500
Maximum total height (mm)	1080
Minimum total height (mm)	700
Diamètre de sortie (mm)	150

### Characteristics

Motor quantity	1
Motor model	A1000
Maximum pressure (Pa)	501,17
Filter technology	Aluminium mesh
Control technology	PANEL ELECTRONICO DISPLAY DIGITAL
Booster	√
Power levels	3
Timer	√
Remote control	-

### Lighting

Light model	ECOLED
Ray technology	LED

### Installation

Minimum distance to electric plate (mm)	550
Minimum distance to gas plate (mm)	650
Charcoal filter	-
Back draught shutter	Included

### Electric connection

Nominal voltage (V)	220-240
Nominal frequency (Hz)	50
Nominal input power (W)	383
Electric shock protection	Class I
Power cord length (m)	1,2
Plug type	Type F

---

**Accessories**

Back draught shutter	02800706
Activated charcoal filter	02800959

---