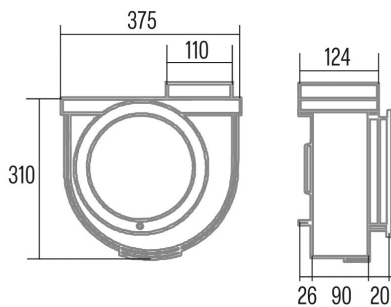




GS-600 BK

Cod. 00116400

EAN 8422248357371



GENERAL INFORMATION

EAN/UPC	8422248357371
Subfamily	Kitchen Extractor

Product sheet according to directives EU65/2014 - EN61591, EN60704-2-13, EN50564

AEC (Annual energy consumption) (kWh/year)	517
EEl class (energy efficiency class)	C
FDE (fluid dynamic efficiency)	125
FDE class (fluid dynamic efficiency class)	E
Airflow in normal mode MAX (m3/h)	480
Acoustic power in normal mode MAX (dB)	50
Po (energy consumption in off mode) (W)	0
Ps (energy consumption in standby mode) (W)	0

Integration directive EU 66/2014

f (time increase factor)	16
EEl (Energy Efficiency Index)	789
QBEP (maximum efficiency at air flow point) (m3/h)	3117
PBEP (maximum efficiency at pressure point) (Pa)	1316
WBEP (power consumption at maximum efficiency) (W)	914

External Dimensions

Width (mm)	375
Depth (mm)	124
Maximum total height (mm)	360
Minimum total height (mm)	310

Characteristics

Motor quantity	1
Free out airflow (m3/h)	480
Control technology	Commutator
Booster	-
Power levels	1
Timer	-
Filter saturation indicator	-
Charcoal filter replacement indicator	-
Dimmer function	-
Connectivity	No
Remote control	-

Installation

Minimum distance to electric plate (mm)	80
Minimum distance to gas plate (mm)	80
Recirculation option	-
Charcoal filter	-
Back draught shutter	No

Electric connection

Nominal voltage (V)	220-240
Nominal frequency (Hz)	50/60
Nominal input power (W)	105
Electric shock protection	Class I