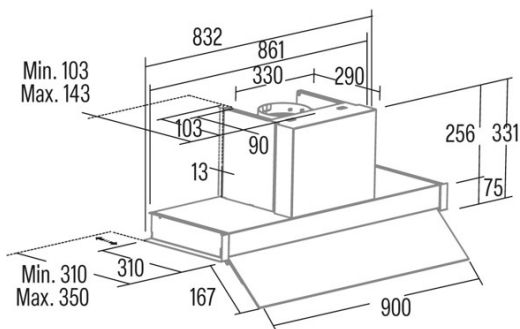




TENTA 900 XGWH

Cod. **02189005**

EAN **8422248093729**



GENERAL INFORMATION

| | |
|-----------|---------------|
| EAN/UPC | 8422248093729 |
| Subfamily | Integrated |

Product sheet according to directives EU65/2014 - EN61591, EN60704-2-13, EN50564

| | |
|---|-------|
| AEC (Annual energy consumption) (kWh/year) | 24,7 |
| EEl class (energy efficiency class) | AP |
| FDE (fluid dynamic efficiency) | 37,5 |
| FDE class (fluid dynamic efficiency class) | A |
| LE (light efficiency) (Lux/W) | 23,7 |
| LE class (light efficiency class) | B |
| GFE (grease filtering efficiency) | 62,7 |
| GFE class (grease filtering efficiency class) | E |
| Airflow in normal mode MIN (m3/h) | 245 |
| Airflow in normal mode MAX (m3/h) | 509,4 |
| Airflow in boost mode MIN (m3/h) | 765,3 |
| Acoustic power in normal mode MIN (dB) | 46 |
| Acoustic power in normal mode MAX (dB) | 63 |
| Acoustic power boost mode (dB) | 67 |
| Po (energy consumption in off mode) (W) | 0,49 |
| Ps (energy consumption in standby mode) (W) | 0 |

Integration directive EU 66/2014

| | |
|--|-------|
| f (time increase factor) | 0,7 |
| EEl (Energy Efficiency Index) | 40,3 |
| QBEP (maximum efficiency at air flow point) (m3/h) | 346,6 |
| PBEP (maximum efficiency at pressure point) (Pa) | 298 |
| WBEP (power consumption at maximum efficiency) (W) | 76,6 |
| WL (nominal power lighting system) (W) | 7 |
| EMIDDLE (Average illuminance on the cooking surface) (lux) | 166 |

External Dimensions

| | |
|---------------------------|-----|
| Width (mm) | 900 |
| Depth (mm) | 310 |
| Maximum total height (mm) | 331 |
| Minimum total height (mm) | 331 |
| Diamètre de sortie (mm) | 150 |

Characteristics

| | |
|---------------------------------------|--------------------------|
| Motor quantity | 1 |
| Motor model | BT4DC |
| Maximum pressure (Pa) | 357 |
| Filter technology | Aluminium mesh |
| Control technology | Electronic Touch Control |
| Booster | √ |
| Power levels | 6 |
| Timer | √ |
| Filter saturation indicator | √ |
| Charcoal filter replacement indicator | - |
| Dimmer function | √ |
| Connectivity | √ |
| Remote control | - |
| Display | Display_grafico |

Lighting

| | |
|----------------|---------------|
| Light model | SSLED BICOLOR |
| Ray technology | LED |

Installation

| | |
|---|-----|
| Minimum distance to electric plate (mm) | 550 |
| Minimum distance to gas plate (mm) | 650 |

| | |
|----------------------|---|
| Recirculation option | √ |
| Charcoal filter | - |
| Back draught shutter | - |
| Inner shield | - |

Electric connection

| | |
|---------------------------|---------|
| Nominal voltage (V) | 220-240 |
| Nominal frequency (Hz) | 50 |
| Nominal input power (W) | 146 |
| Electric shock protection | Class I |
| Plug type | No plug |

Accessories

| | |
|---------------------------------|---------|
| Upper decorative duct extension | No |
| White decorative duct | No |
| Black decorative duct | No |
| Island tube booster | No |
| Back draught shutter | 2832008 |
| MAX PRO Metal filter | No |
| Activated charcoal filter | 2859399 |
| Noiseless flexible duct | 2893002 |
| Recirculation kit | No |
