



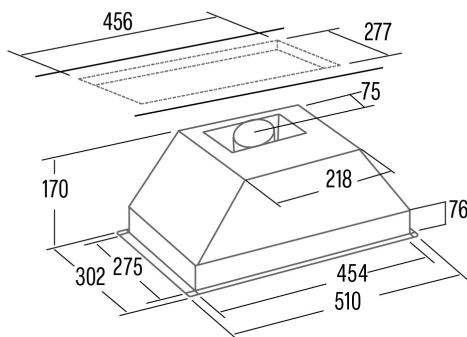
FILTER GROUPS



GK 4500 WH

Cod. **02039007**

EAN **8422248357142**



GENERAL INFORMATION

EAN/UPC	8422248357142
Subfamily	Insert

Product sheet according to directives EU65/2014 - EN61591, EN60704-2-13, EN50564

AEC (Annual energy consumption) (kWh/year)	29,7
EEl class (energy efficiency class)	B
FDE (fluid dynamic efficiency)	19,3
FDE class (fluid dynamic efficiency class)	C
LE (light efficiency) (Lux/W)	15,5
LE class (light efficiency class)	D
GFE (grease filtering efficiency)	63
GFE class (grease filtering efficiency class)	E
Airflow in normal mode MIN (m3/h)	190
Airflow in normal mode MAX (m3/h)	360
Acoustic power in normal mode MIN (dB)	56
Acoustic power in normal mode MAX (dB)	67
Po (energy consumption in off mode) (W)	0
Ps (energy consumption in standby mode) (W)	0

Integration directive EU 66/2014

f (time increase factor)	1,3
EEl (Energy Efficiency Index)	60,7
QBEP (maximum efficiency at air flow point) (m3/h)	199,7
PBEP (maximum efficiency at pressure point) (Pa)	202
WBEP (power consumption at maximum efficiency) (W)	58
WL (nominal power lighting system) (W)	3
EMIDDLE (Average illuminance on the cooking surface) (lux)	46,5

External Dimensions

Width (mm)	510
Depth (mm)	302
Maximum total height (mm)	170
Minimum total height (mm)	170
Diamètre de sortie (mm)	120

Characteristics

Motor quantity	1
Motor model	K11 360
Maximum pressure (Pa)	252
Filter technology	Aluminium mesh
Control technology	Mechanical slider
Booster	-
Power levels	2
Timer	-
Filter saturation indicator	-
Charcoal filter replacement indicator	-
Dimmer function	-
Connectivity	-
Remote control	-
Display	-

Lighting

Light model	LED E-14
Ray technology	LED

Installation

Minimum distance to electric plate (mm)	550
Minimum distance to gas plate (mm)	650
Recirculation option	-
Charcoal filter	-

Back draught shutter	-
Inner shield	-

Electric connection

Nominal voltage (V)	220-240
Nominal frequency (Hz)	50
Nominal input power (W)	93
Electric shock protection	Class II
Plug type	No plug

Accessories

Upper decorative duct extension	No
White decorative duct	No
Black decorative duct	No
Island tube booster	No
Back draught shutter	'02849003
MAX PRO Metal filter	No
Activated charcoal filter	'02859489
Noiseless flexible duct	No
Recirculation kit	No
