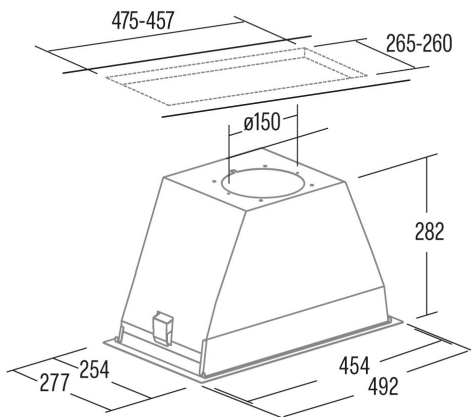




## GT-PLUS 45 BK

Cod. **02030408**

EAN **8414600000**



### GENERAL INFORMATION

EAN/UPC	8414600000
Subfamily	Insert

### Product sheet according to directives EU65/2014 - EN61591, EN60704-2-13, EN50564

AEC (Annual energy consumption) (kWh/year)	886
EEl class (energy efficiency class)	C
FDE (fluid dynamic efficiency)	163
FDE class (fluid dynamic efficiency class)	D
LE (light efficiency) (Lux/W)	292
LE class (light efficiency class)	A
GFE (grease filtering efficiency)	912
GFE class (grease filtering efficiency class)	B
Airflow in normal mode MIN (m3/h)	300
Airflow in normal mode MAX (m3/h)	645
Acoustic power in normal mode MIN (dB)	50
Acoustic power in normal mode MAX (dB)	65
Po (energy consumption in off mode) (W)	0
Ps (energy consumption in standby mode) (W)	0

### Integration directive EU 66/2014

f (time increase factor)	1,4
EEl (Energy Efficiency Index)	811
QBEP (maximum efficiency at air flow point) (m3/h)	358,1
PBEP (maximum efficiency at pressure point) (Pa)	270
WBEP (power consumption at maximum efficiency) (W)	164,9
WL (nominal power lighting system) (W)	6
EMIDDLE (Average illuminance on the cooking surface) (lux)	202

### External Dimensions

Width (mm)	492
Depth (mm)	277
Maximum total height (mm)	282
Minimum total height (mm)	282
Diamètre de sortie (mm)	150, 125

### Characteristics

Motor quantity	1
Motor model	BT2
Maximum pressure (Pa)	400
Filter technology	Aluminium mesh
Control technology	Mechanical push button
Booster	-
Power levels	3
Timer	-
Filter saturation indicator	-
Charcoal filter replacement indicator	-
Dimmer function	-
Connectivity	No
Remote control	-
Display	-

### Lighting

Light model	SSLED
Ray technology	LED

### Installation

Minimum distance to electric plate (mm)	550
Minimum distance to gas plate (mm)	650
Recirculation option	√
Charcoal filter	-

Back draught shutter	-
Inner shield	-

---

**Electric connection**

Nominal voltage (V)	220-240
Nominal frequency (Hz)	50
Nominal input power (W)	206
Electric shock protection	Class II
Power cord length (m)	15
Plug type	Type C

---

**Accessories**

Back draught shutter	02832004
Activated charcoal filter	02859398
Noiseless flexible duct	02893002

---