



## GT PLUS

High Efficiency Motor



GT PLUS 45 WH

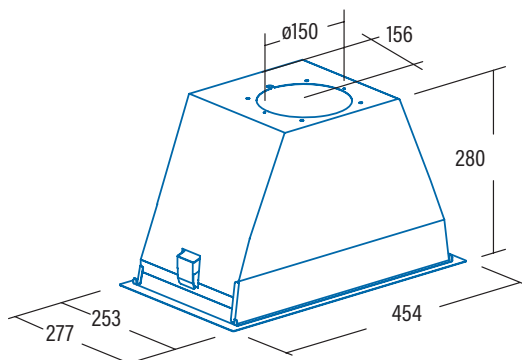
Cod. **02030007** EAN **8422248087353**

- Mechanical Control Panel**
- 3 extraction levels
- Extraction power (according to UNE/EN 61591): **645m3/h** - 300m3/h
- Maximum air flow (free outlet): **1115m3/h**
- Sound power (Reg.(EU) n°65/2014): 50dB(A)**, maximum: 65dB(A)
- BT2 motor. Extra silent. Maximum energy consumption **200W**
- High efficiency Led lighting**
- Halogen Lighting (Out of EU)**
- Easy-to-install system
- Dishwasher-washable filters
- Finished in Stainless steel, white or black
- Max. Pressure: 400 Pa
- 150/125 mm Outlet diameter
- Energy Class: C

► **Accessories (not included)**

Active charcoal filter .....Cod. 02859398 / EAN 8422248075497.....

Check valve .....Cod. 02832004 / EAN 8422248480499.....



|   |                      |
|---|----------------------|
| <b>Code</b>   | <b>02030007</b>      |
| <b>EAN</b>  | <b>8422248087353</b> |
| <b>Model</b>  | <b>GT-PLUS 45 WH</b> |
| <b>Type</b>   | Canopy               |
| <b>Product fiche according to directives EU65/2014 - EN61591, EN60704-2-13, EN50564</b> |                      |
| AEC (Annual Energy consumption) (kWh/annum)   | 90,3                 |
| EEL class (Energy Efficiency Class)   | C                    |
| FDE (Fluid Dynamic Efficiency)  | 16,3                 |
| FDE class (Fluid Dynamic Efficiency Class)  | D                    |
| LE (Lighting Efficiency) (lux/W)  | 24,3                 |
| LE class (Lighting Efficiency Class)  | B                    |
| GFE (Grease Filtering Efficiency)   | 91,2                 |
| GFE Class (Grease Filtering Efficiency class)   | B                    |
| Air flow at minimum speed (m³/h)  | 300                  |
| Air flow at maximum speed (m³/h)  | 645                  |
| Air flow at intensive speed (TURBO) (m³/h)  | -                    |
| Sound Power Level at minimum speed (dB)   | 50                   |
| Sound Power Level at maximum speed (dB)   | 65                   |
| Sound Power Level at intensive speed (TURBO) (dB)                                       | -                    |
| Po (Power Consumption in off mode) (W)  | 0                    |
| Ps (Power Consumption in standby) (W)   | 0                    |
| <b>Integration directive EU 66/2014</b>   |                      |
| f (Time Increase Factor)  | 1,4                  |
| EEL (Energy Efficiency Index)   | 82,2                 |
| QBEP (Flow Rate at Best Efficiency Point) (m³/h)  | 358,1                |
| PBEP (Static Pressure Difference at Best Efficiency Point) (Pa)                         | 270                  |
| WBEP (Electric Power Input at Best Efficiency Point) (W)                                | 164,9                |
| WL (Nominal Power Consumption of Lighting system) (W)                                   | 7                    |
| EMIDDLE (Average Illumination of Lighting system on Cooking surface) (lux)              | 170                  |
| <b>External Dimensions</b>  |                      |
| Width (mm)  | 492                  |
| Depth (mm)  | 277                  |
| Total max height (mm)   | 280                  |
| Total min height (mm)   | 280                  |
| Outlet Diameter (mm)  | 150/125              |
| <b>Characteristics</b>  |                      |
| Motor   | BT2                  |
| Extraction Levels   | 3                    |
| Motor Maximum Power Consumption   | 200                  |
| Maximum Pressure  | 400                  |
| Intensive Speed (TURBO) Pressure  | -                    |
| Control Type  | Mechanic             |
| Automatic shut-down timer   | -                    |
| Electronic Filter Saturation Indicator  | -                    |
| Filter Type   | Metallic             |
| Anti-grease Filter Number   | 2                    |
| Inner Shield  | -                    |
| <b>Lighting</b>   |                      |
| Light Type  | EcoLed               |
| Adjustable Intensity Lighting   | -                    |
| N° of Lamps   | 2                    |
| <b>Installation</b>   |                      |
| Minimum height distance to a electric worktop hob (mm)                                  | 550                  |
| Minimum height distance to a gas worktop hob (mm)                                       | 650                  |
| Installation with Outlet tube to the exterior / Recirculating                           | BOTH                 |
| Easy Installation System  | √                    |
| <b>Electric Connection</b>  |                      |
| Total Rush Power (W)  | 207                  |
| Rated Voltage (V)   | 220-240              |
| Network Frequency (Hz)  | 50                   |
| Electrical Insulation Class   | CLASS II             |
| Plug  | EU - 2 pins          |
| <b>Accessories</b>  |                      |
| Upper Decorative tube Extension   | -                    |
| White Decorative Tube   | -                    |
| Black Decorative Tube   | -                    |
| Island Tube Enhancer  | -                    |
| Check Valve   | 02832004             |
| MAX PRO Metal Filter  | -                    |
| Metal Filter  | 02811000*            |
| DUAL Filter (metal + active charcoal)   | 02811003             |
| Active Charcoal Filter  | 02859398             |
| Noiseless Flexible Duct   | 02893002             |