

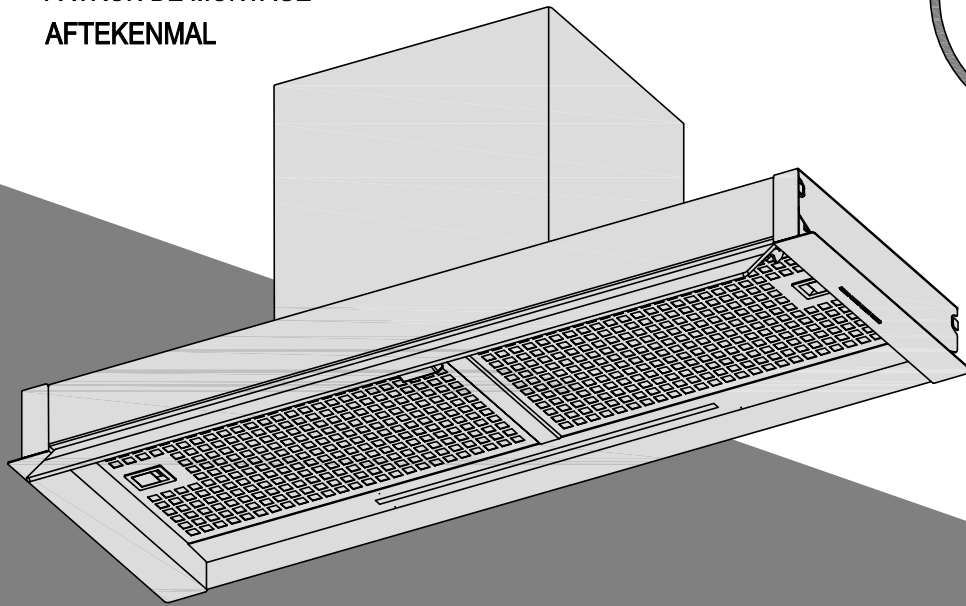
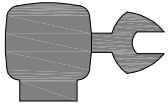
60821605- 26-06-24

PLANTILLA DE MONTAJE

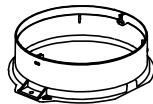
ASSEMBLY INSOLE

PATRON DE MONTAGE

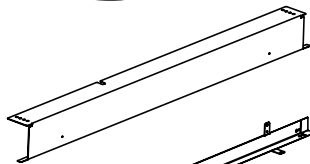
AFTEKENMAL



a1 X 1



a2 X 1




a3 X 1



a4 X 4



a5 X 2

 Ø3.9 x 13

a6 X 4

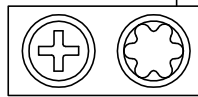
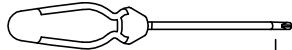
 Ø4 x 8

a7 X 4

 Ø3 x 8

a8 X 6

 Ø4.2 x 13

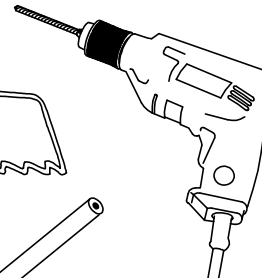
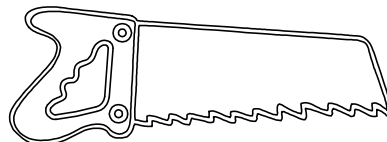


PH 2

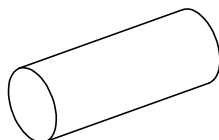
T10

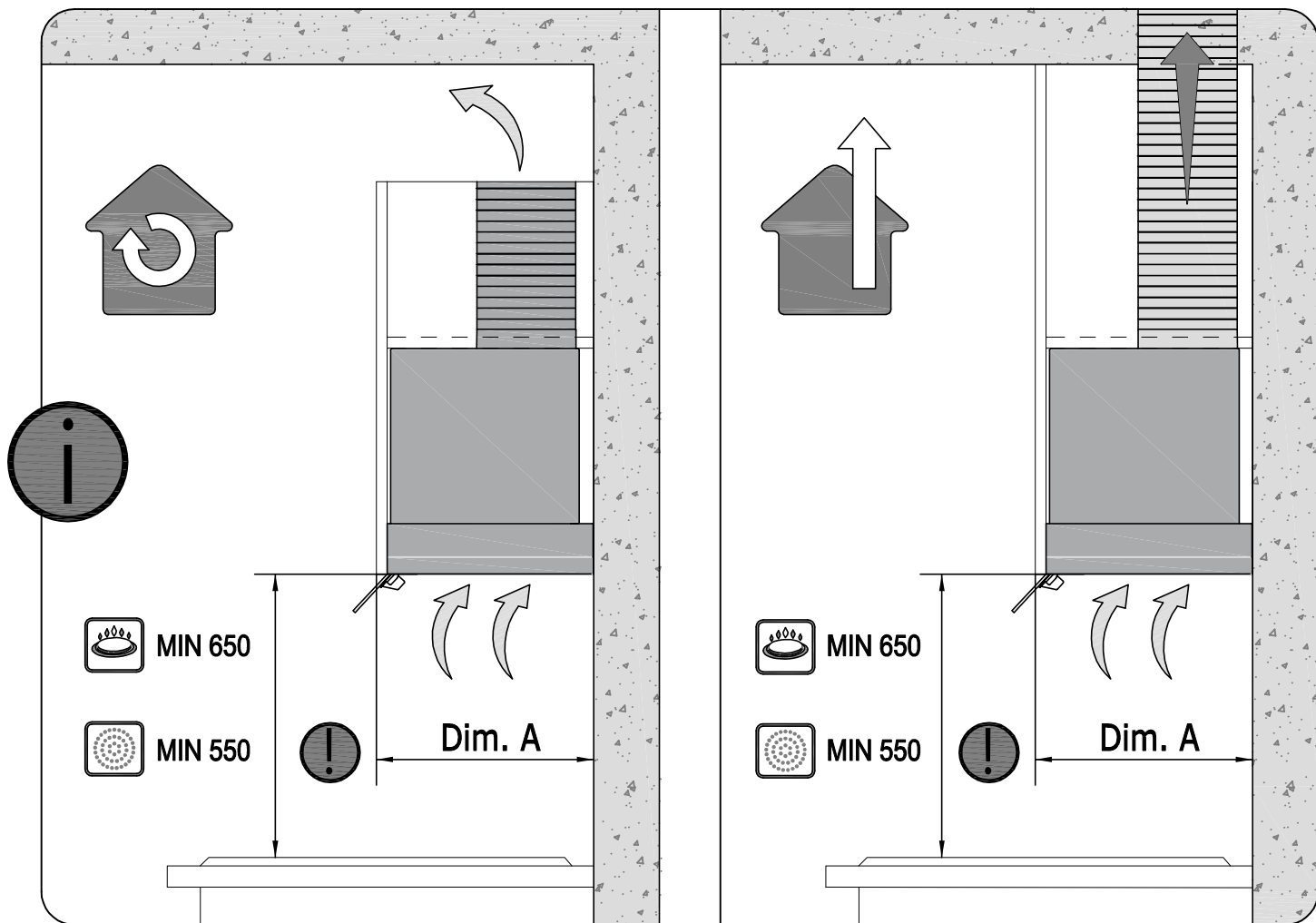
T15

T20

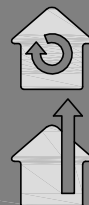
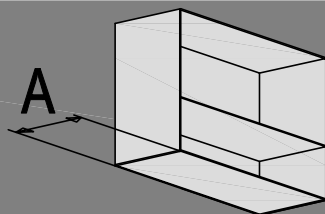


Ø150

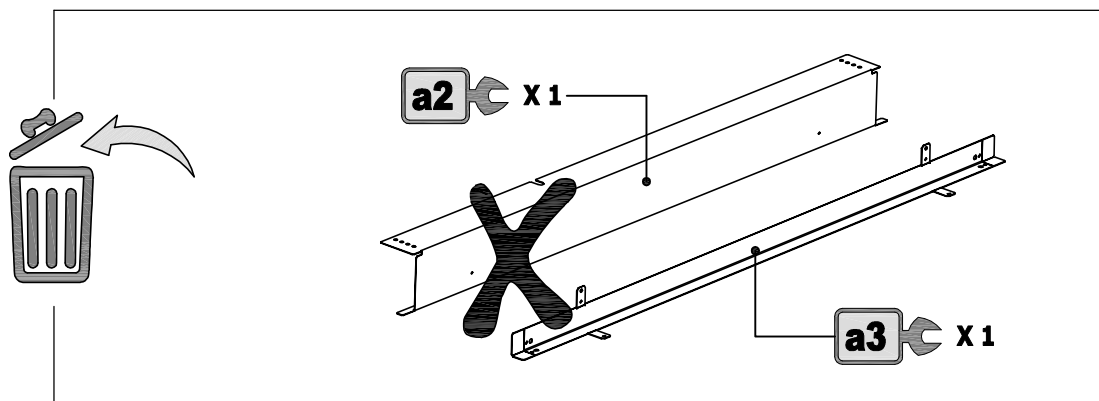




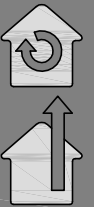
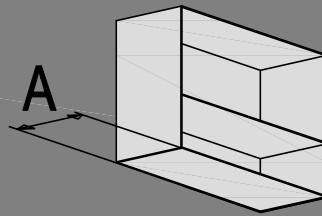
Dim. A : 310 mm



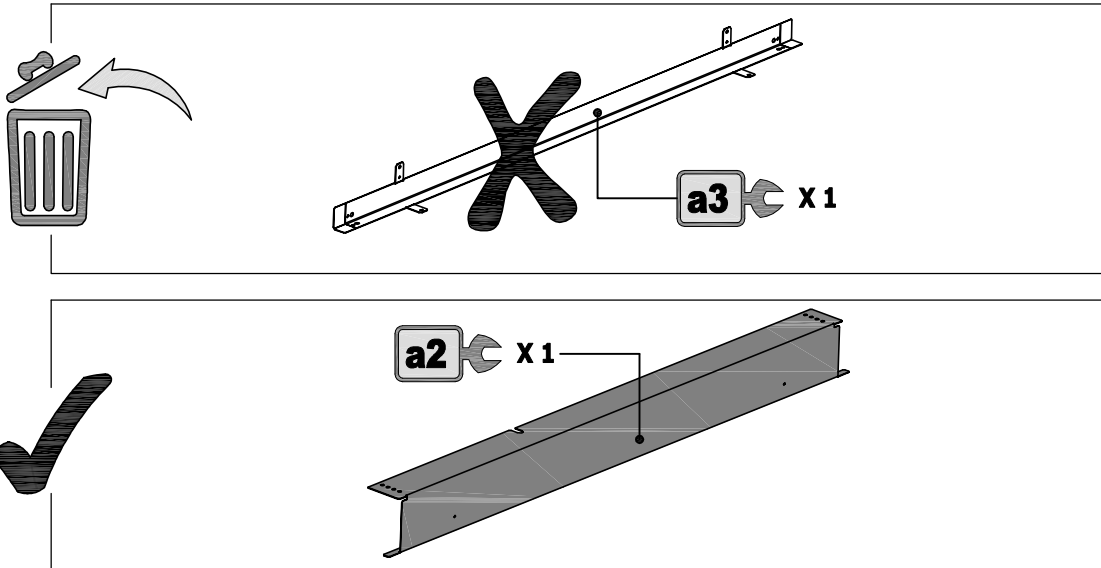
1



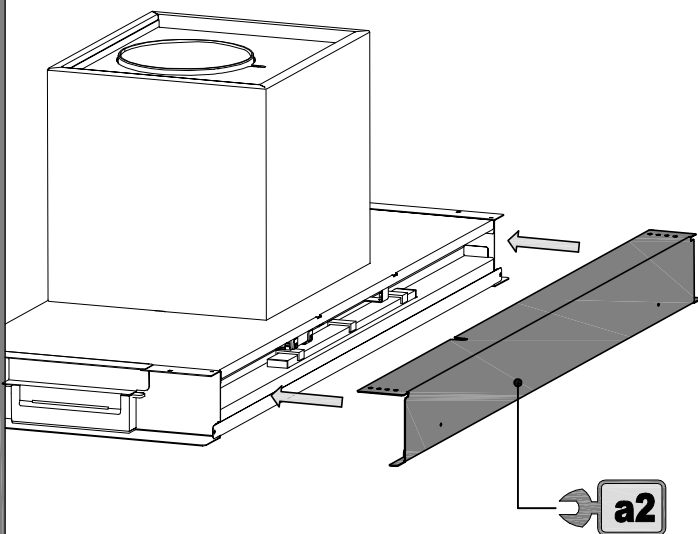
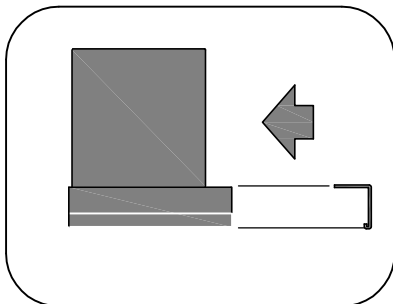
Dim. A : 320 mm



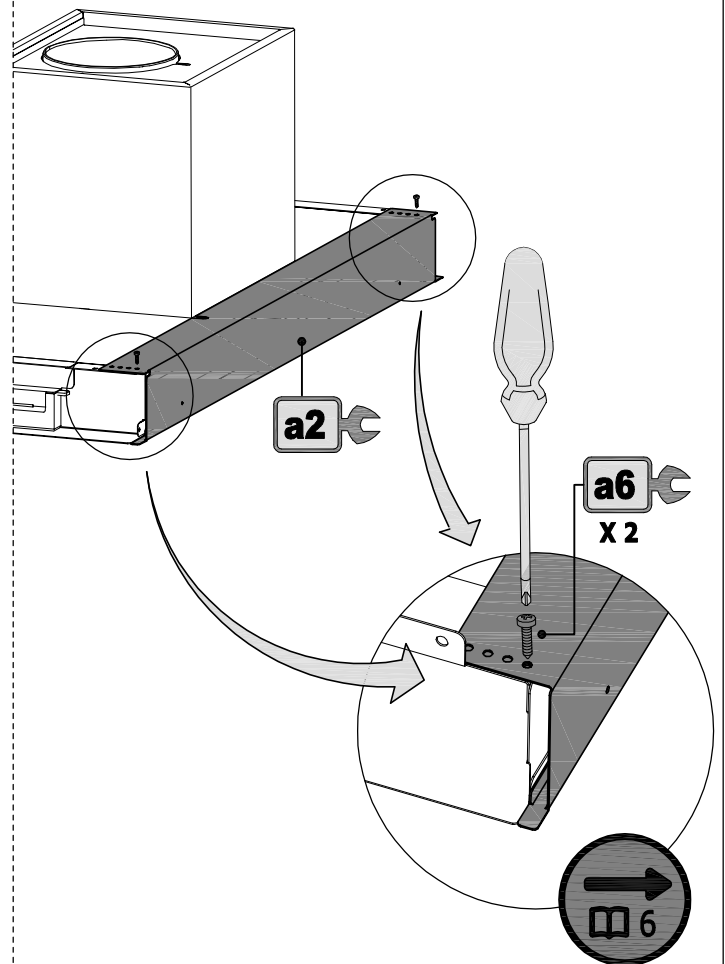
1



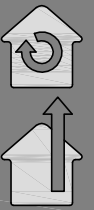
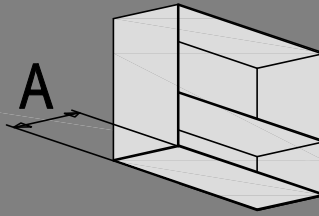
1.1



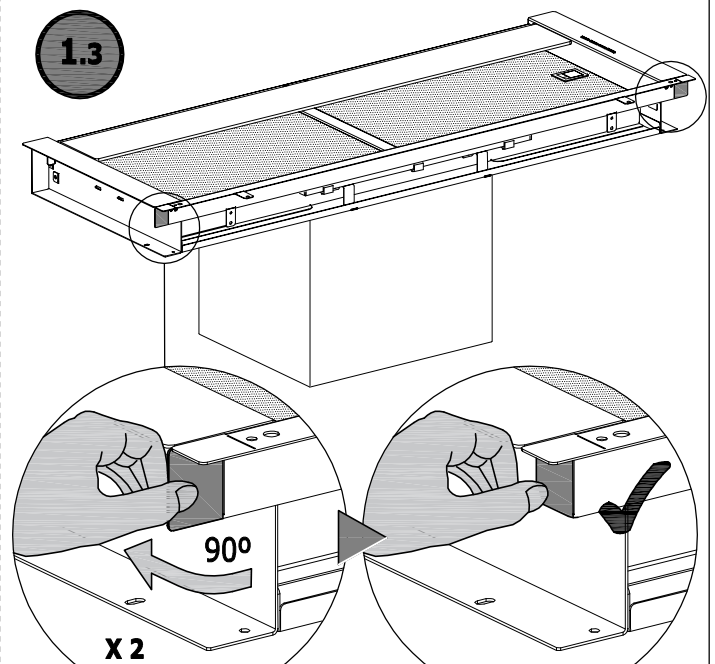
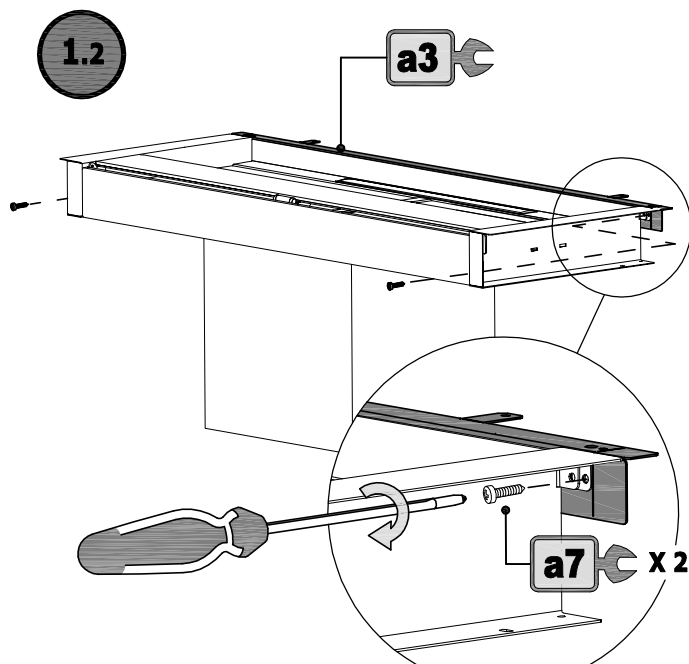
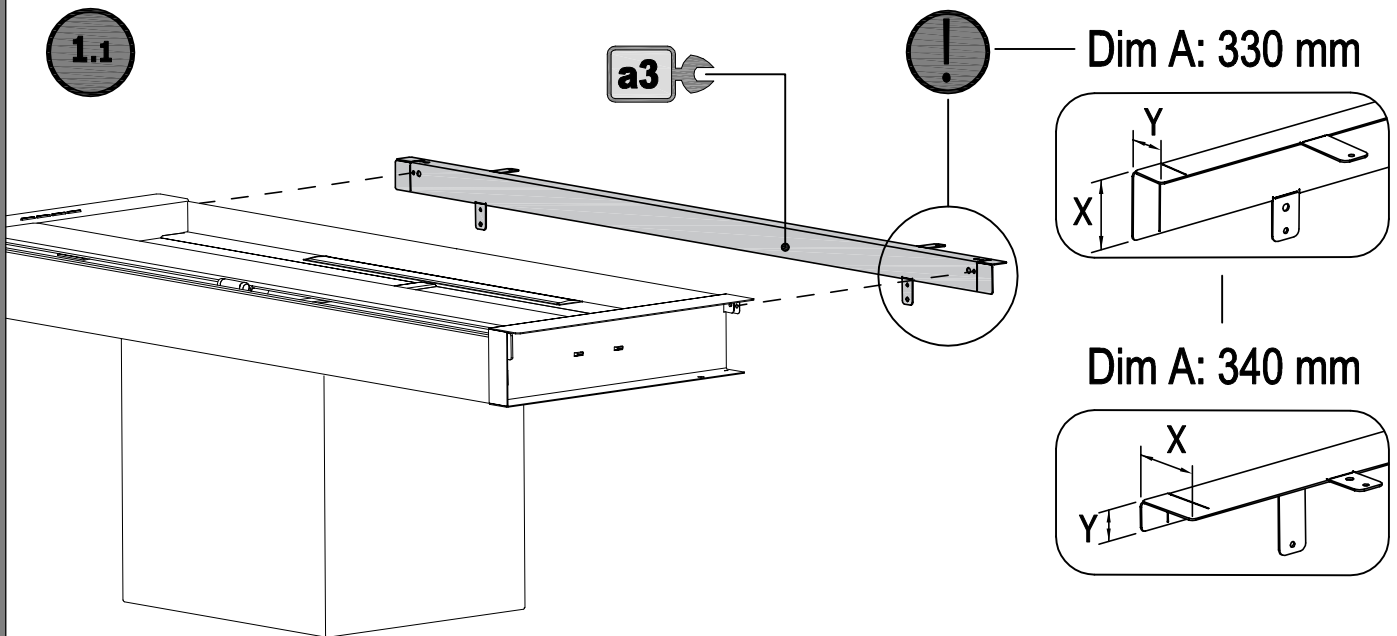
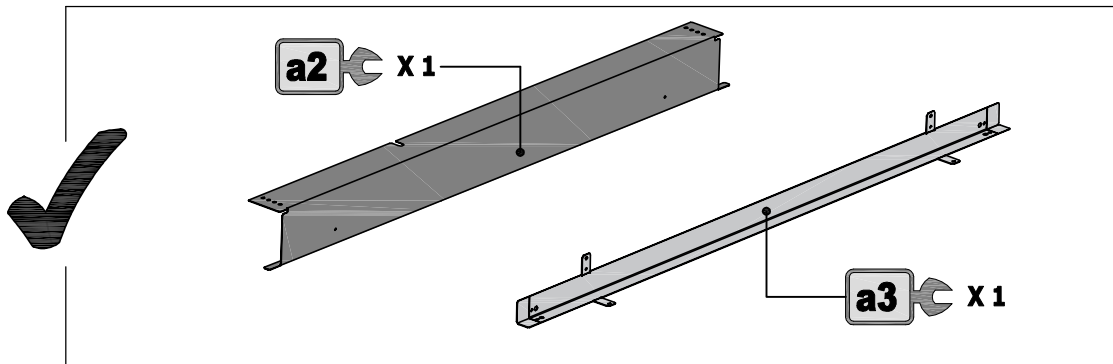
1.2



Dim. A : 330-340 mm

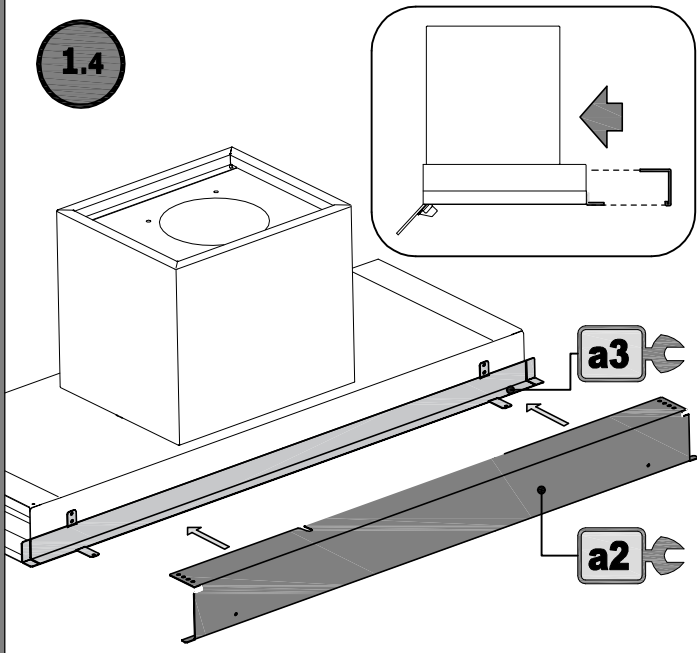


1

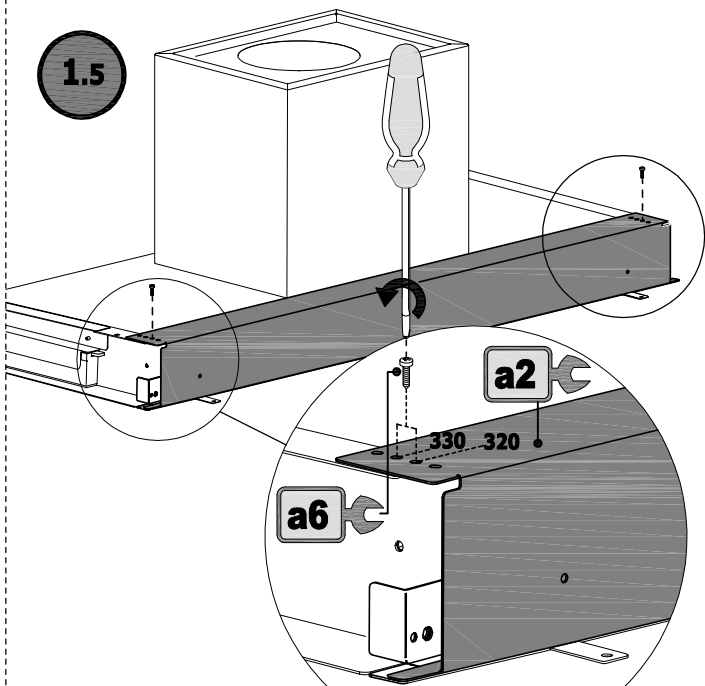


1

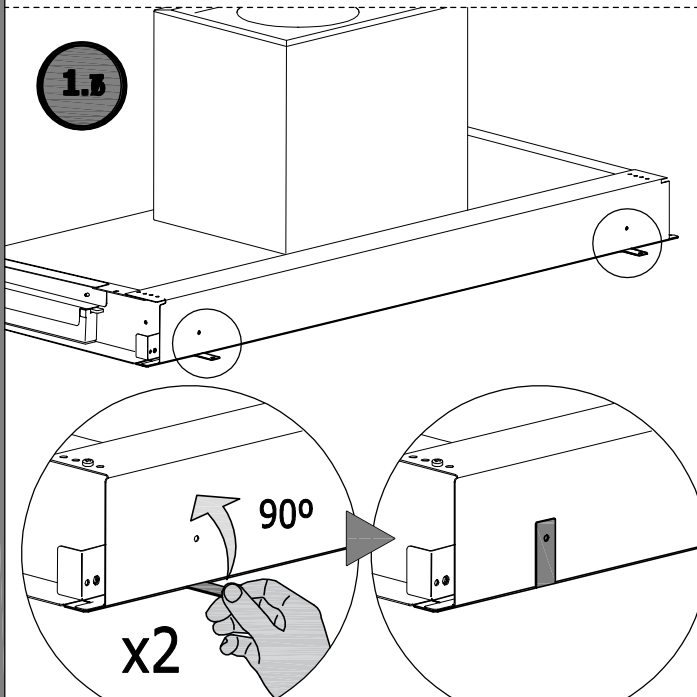
1.4



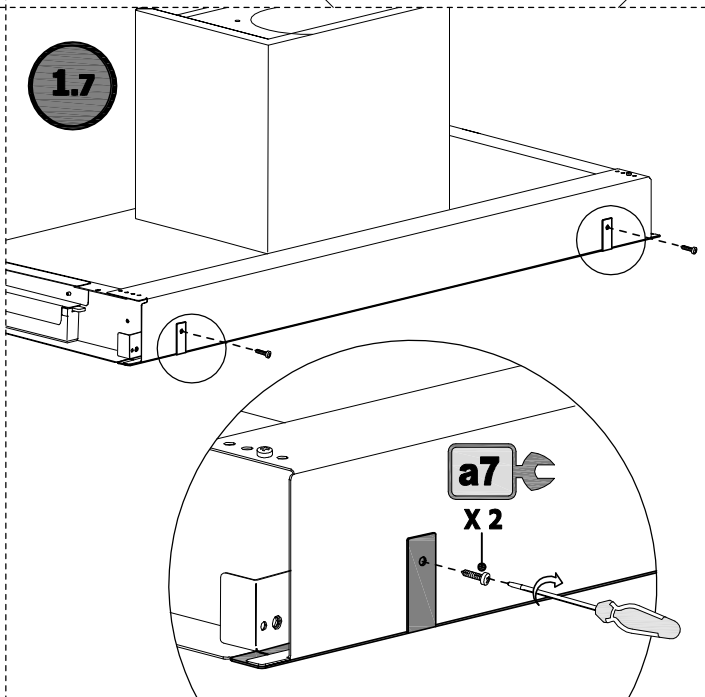
1.5



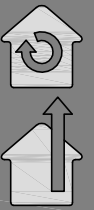
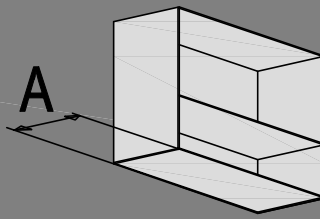
1.6



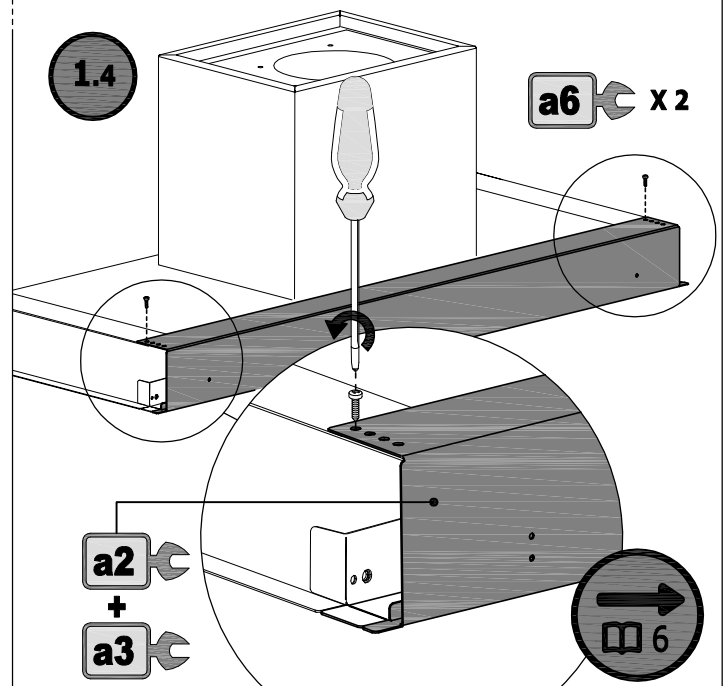
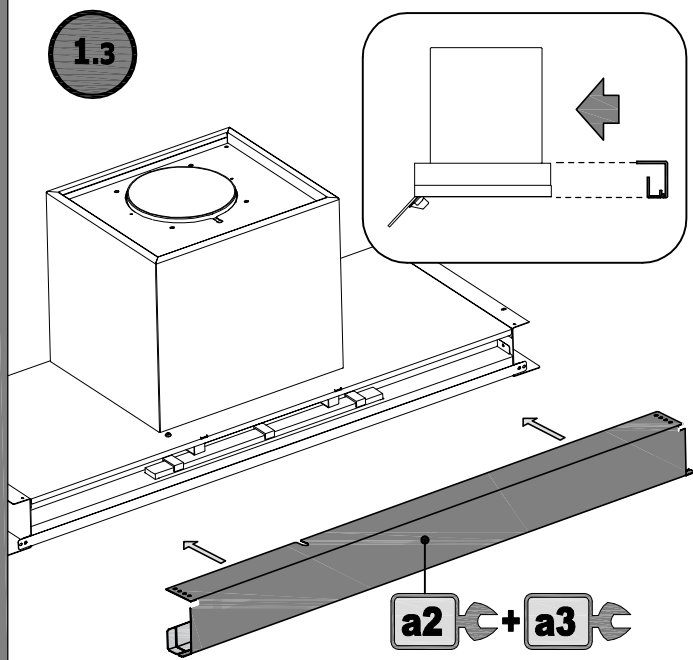
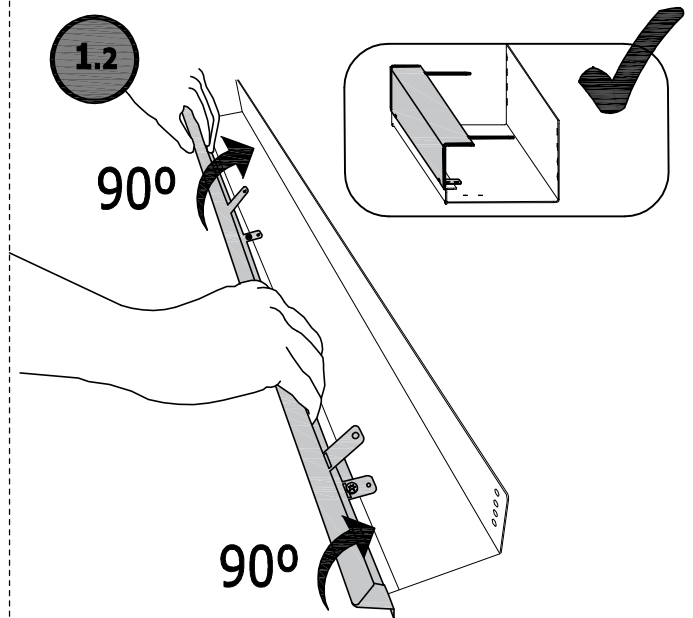
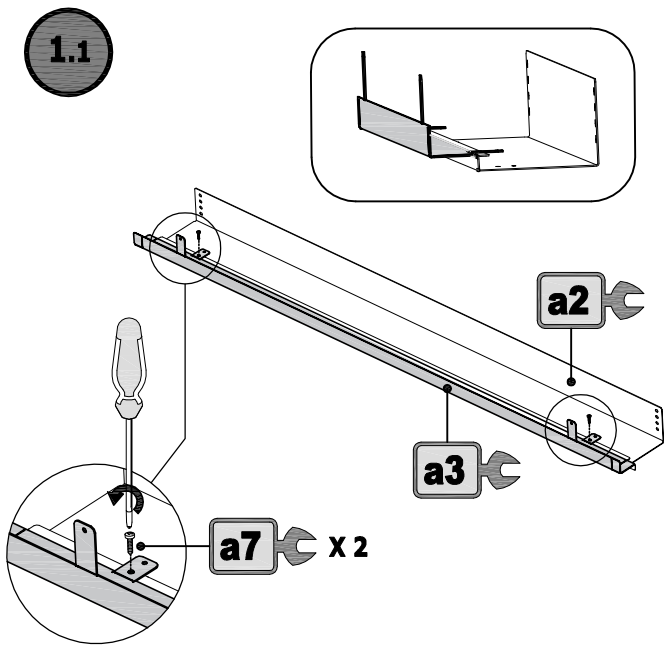
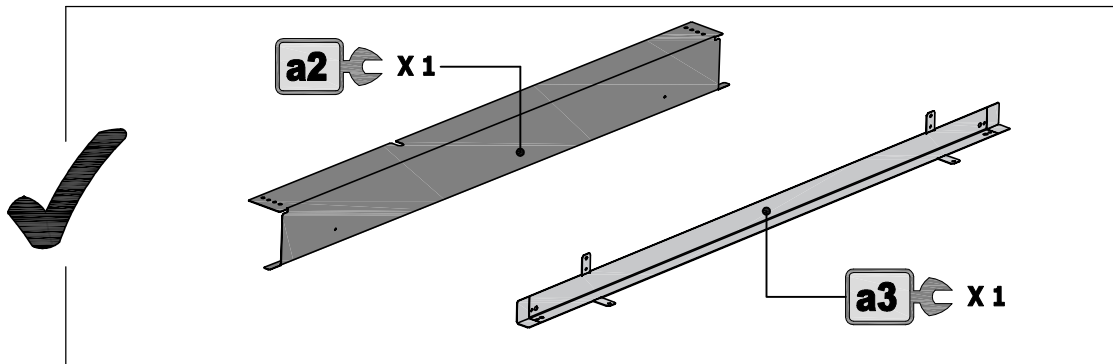
1.7



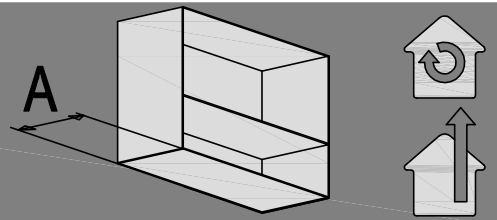
Dim. A : 350mm



1



Dim. A : 310-320-330-340-350mm



2

A	B
310	105
320	115
330	125
340	135
350	145

2.1

160mm
180mm

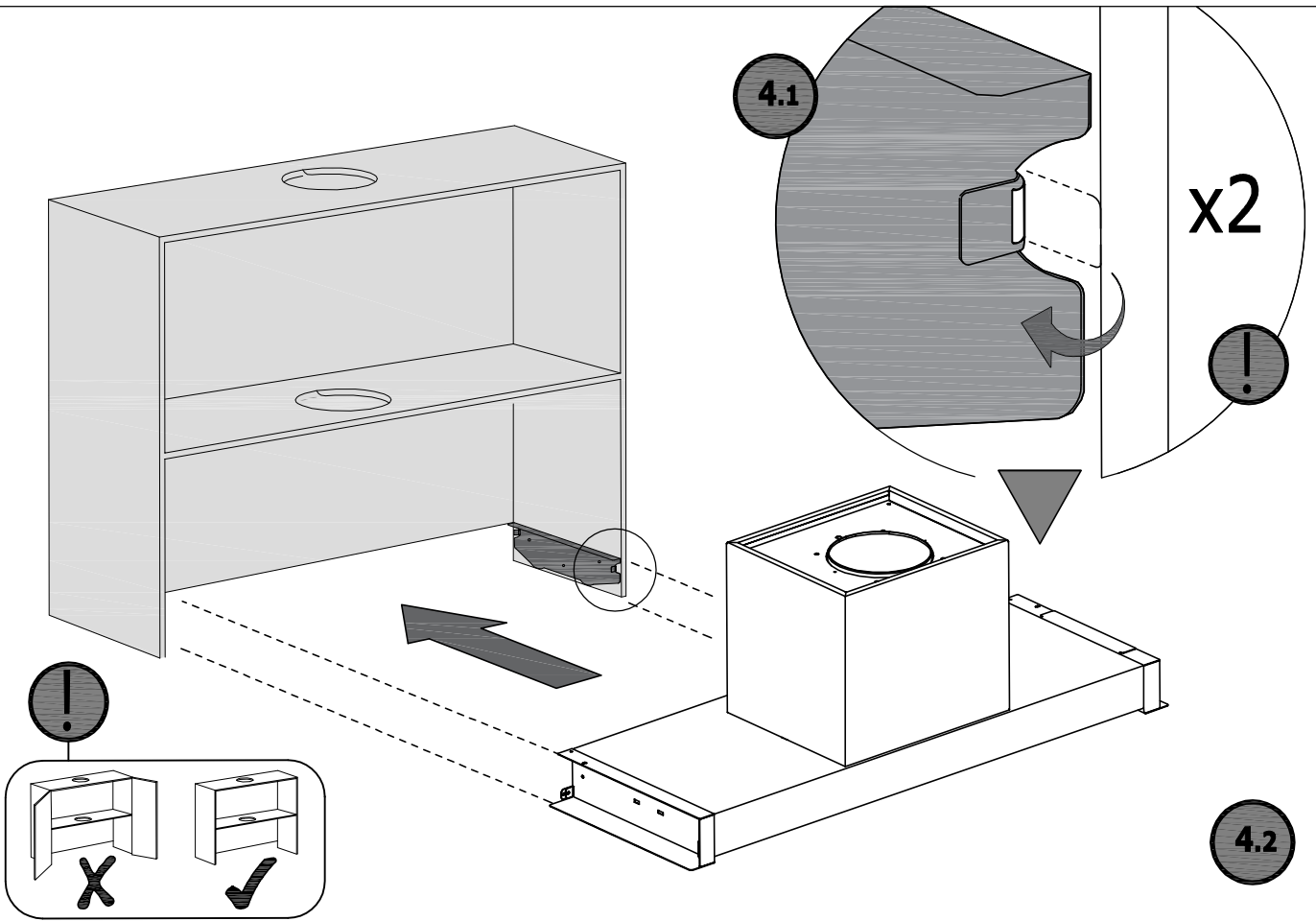
2.2

77mm

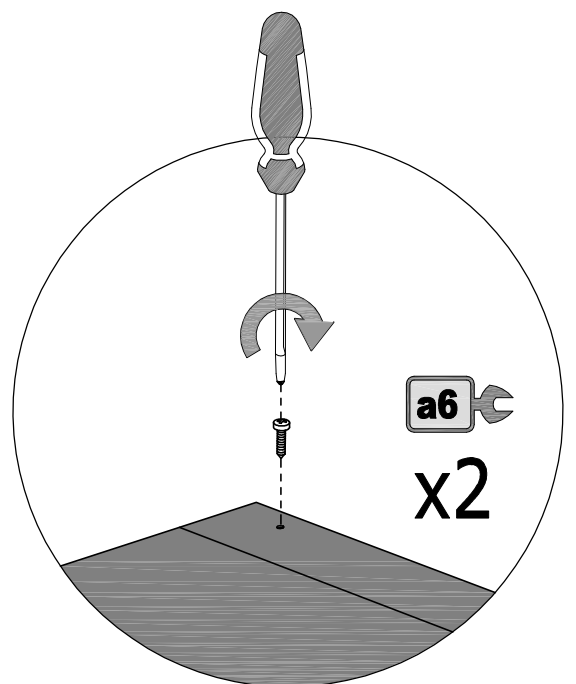
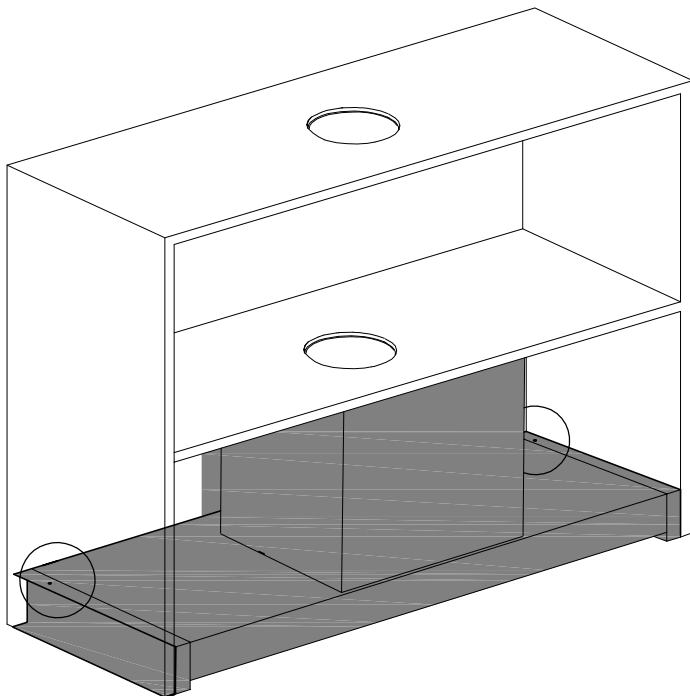
3

a8 **x6**

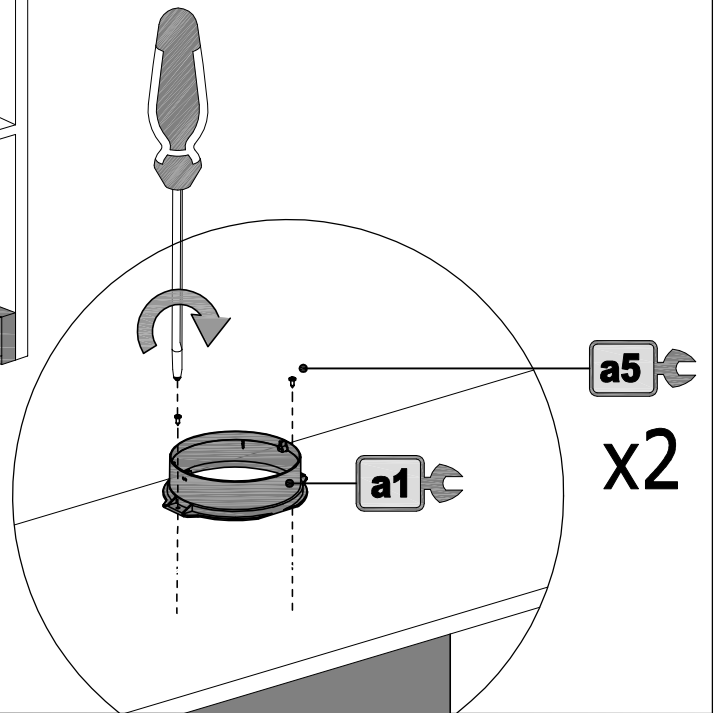
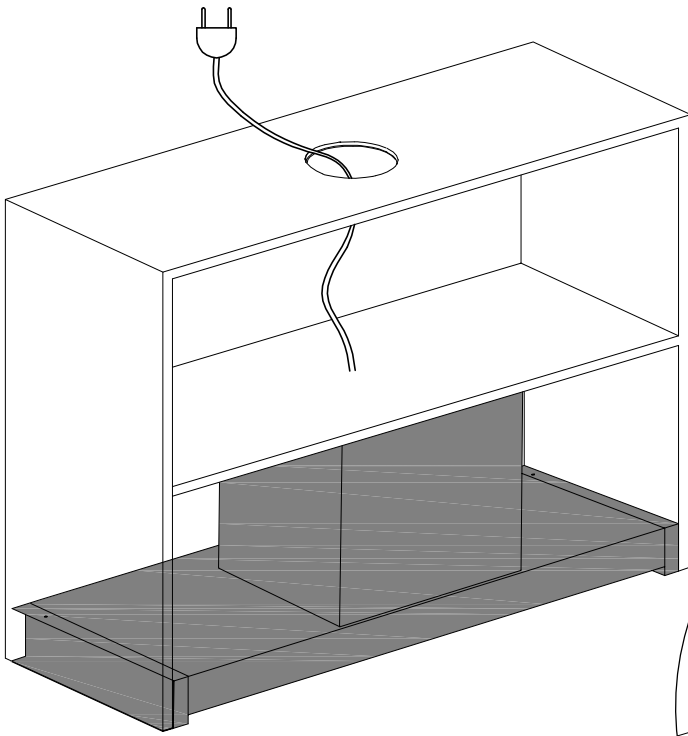
4



5



6



7

