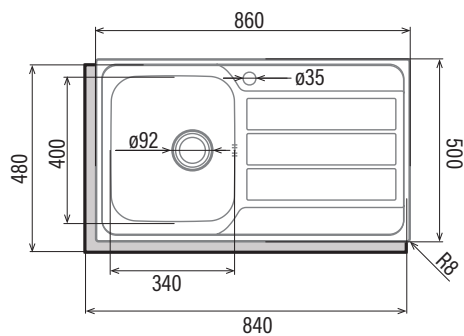


CDP-1 ED

Cod. **02606502** EAN **8422248108959**

- 1 Square bowl with draining board
- Installation in 45-cm unit
- Dimensions: 86 x 50 cm
- Bowl depth 18cm
- Noise absorber foam**
- Stainless steel AISI 304 18/10
- Basket valve 3 1/2"
- Thickness 0,8mm
- Accessories:**
 - Watertight strip
 - Fastening clamps
 - Overflow pipe
 - Siphon



Code	02606502
EAN	8422248108959
Model	CDP-1 ED
DIMENSIONS	
Cutout dimension (length x width) [mm]	840x480
Dimensions (length x width x depth) [mm]	860x500x180
GENERAL FEATURES	
Type of sink	Built-in countertop
Material	Stainless steel 304
Steel thickness [mm]	0,8
Colour	Steel
BOWL AND DRAINING RACK DETAILS	
Bowl quantity	1
Bowl form	Square
Draining rack	Yes
Draining rack quantity	Square
Draining rack form	right
Draining rack position	Yes
Tap hole	
ACCESSORIES	
Drainpipe type	Round 3 1/2"
Drainpipe quantity	1
Drainpipe quantity	Yes
Overflow tube	Yes