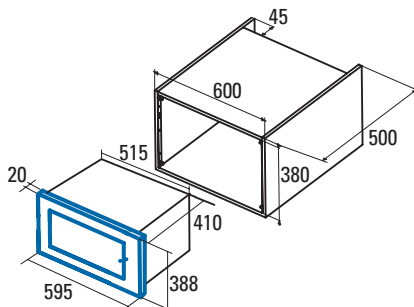




MC 25 GTC BK

MC 25 GTC BK
Cod. **07510400** EAN **8422248055277**

- 25 litre built-in microwave
- Simultaneous 1,000 W quartz grill
- Five power levels, 900 W output
- Stainless steel interior**
- Revolving dish ø 315 mm
- Timer from 0 to 95 minutes
- Automatic defrosting by time and weight
- 8 automatic access menus
- Fast start button
- Easy to install**
- Safety lock
- Finished in **black glass**
- 60cm wide



Code	07510400
EAN	8422248055277
Model	MC 25 GTC BK
Type (Built in / free standing)	Built in
DIMENSIONS	
Appliance width [mm]	595
Appliance height [mm]	388
Appliance depth [mm]	400
Cavity width [mm]	328
Cavity height [mm]	208
Cavity depth [mm]	369
Characteristics	
Finishing	Black glass
Door opening System	Push button
Cavity capacity [L]	25
Cavity type	Stainless steel
Inside light	Yes
Opening door angle [degrees]	90
Noise level db[A]	63
Controls	
Control type	Electronic
Display technology	Red LCD
Electronic timer	Yes
Manual timer	No
Start/Stop button	Yes
Timer [min]	95
Power selector	Yes
Function and temperature selector	Function selector
Working indicator	LED display
Weight selector	Yes
Programs	
Number of programmes	8
Grill	Yes
Simultaneous grill + microwave	Yes
Convection fan	No
Defrosting, heating and cooking by food type	Yes
Quick start	Yes
Safety	
Safety thermostat	Yes
Safety automatic disconnection	No
Child safety lock	Yes
Door temperature	65
N° of glasses in the door	1
Electrical connection	
Grill power [W]	1000
Microwave power [W]	900
Convection power [W]	-
Rated power [W]	1450
Voltage / Frequency [V/Hz]	230 / 50
Power cord length	1000
Plug type	Schuko
Accessories	
Rotatory removable glass	Yes
Diameter of glass dish [mm]	315
Built in frame	Included
Ventilation kit	No