

### INSB 9012 BK

Cod. **08024402** EAN **8422248109413**

#### 5 cooking areas:

- Front Right: 1 area **with Booster function** of 210 x 200mm of 2kW (max. 2.8kW)
- Rear Right: 1 area **with Booster function** of 210 x 200mm of 1.5kW (max. 2kW)
- Center: 1 area **with Booster function** of Ø300mm of 2.3kW (max. 3kW)
- Front Left: 1 area **with Booster function** of 210 x 200mm of 1.5kW (max. 2kW)
- Rear Left: 1 area **with Booster function** of 210 x 200mm of 2kW (max. 2.8kW)
- 2 modular areas with Booster function** of 210x400mm of 3kW (max. 3.5kW)

#### Slider Touch Control for each area

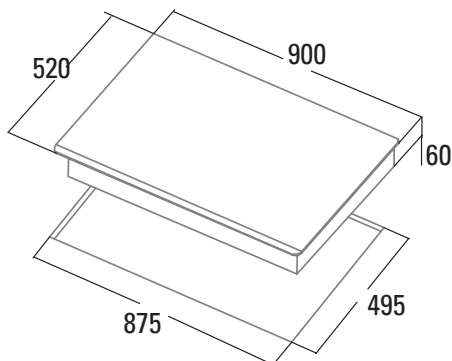
- It has three **temperature functions**:  
**Melting / Defrosting (45-55°C)**  
**Heating / Keeping warm (65-70°C)**  
**Simmering (85-95°C)**

- 9 adjustable power levels + Booster
- Pause Function
- Timer function for each area
- Countdown alarm
- Automatic pan detection
- Safety lock
- Residual heat indicator
- Automatic safety switch-off
- Frontal bevel**
- 90 cm wide**
- Total power 9kW**



#### ► Accessories (not included)

Barbecue grill ..... Cod. 03017400 / EAN 8422248082563



<b>Code</b>	<b>08024402</b>
<b>EAN</b>	<b>8422248109413</b>
<b>Model</b>	<b>INSB 9012 BK</b>
<b>Type</b>	<b>Induction</b>
<b>Product fiche</b>	
Cooking zones	5
<b>Right front zone: Diameter (mm)</b>	210x200
Right front zone: Power (kW)	2
Right front zone: Booster (kW)	2,8
Right front zone: Consumption (Wh/kg)	182,7
Right rear zone: Diameter (mm)	210x200
<b>Right rear zone: Power (kW)</b>	1,5
Right rear zone: Booster (kW)	2
Right rear zone: Consumption (Wh/kg)	182,9
Central front zone: Diameter (mm)	-
Central front zone: Power (kW)	-
<b>Central front zone: Booster (kW)</b>	-
Central front zone: Consumption (Wh/kg)	-
Central rear zone: Diameter (mm)	300
Central rear zone: Power (kW)	2,3
Central rear zone: Booster (kW)	3
<b>Central rear zone: Consumption (Wh/kg)</b>	216,3
Front left zone: Diameter (mm)	210x200
Front left zone: Power (kW)	1,5
Front left zone: Booster (kW)	2
Front left zone: Consumption (Wh/kg)	182,9
<b>Left rear zone: Diameter (mm)</b>	210x200
Left rear zone: Power (kW)	2
Left rear zone: Booster (kW)	2,8
Left rear zone: Consumption (Wh/kg)	182,7
Energy consumption of the hob (Wh/kg)	189,5
<b>Dimensions</b>	
Product width (mm)	900
Product depth (mm)	520
Product height (mm)	60
Built-in height (mm)	875
Built-in depth (mm)	495
Ventilation slot (mm)	5
Fixing system	Quick-Fix System
<b>Finishing</b>	
Colour	Black
Aesthetic	Front bevel
<b>Control</b>	
Control type	Independent Slider for each area
Power selection (+/-)	Individual per zone
Power levels	9 + Booster
Timer	Yes
Countdown alarm	Yes
Power management	No
<b>Security</b>	
Safety lock	Yes
Residual heat indicator	Yes
Automatic pan detection	Yes
Automatic safety switch-off	Yes
Protection against liquid spillage	Yes
<b>Electrical connection</b>	
Nominal voltage (V)	220-240
Mains frequency (Hz)	50-60
Max Product power (kW)	9