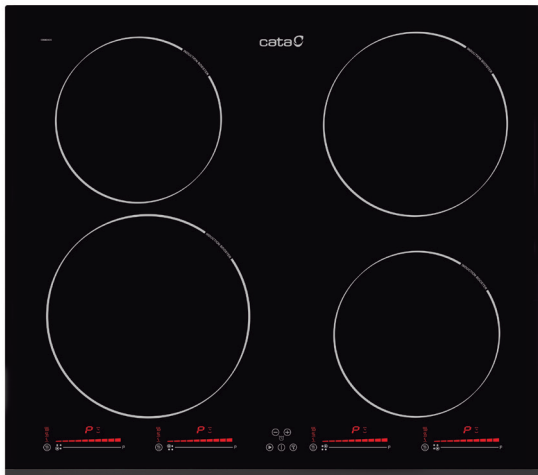


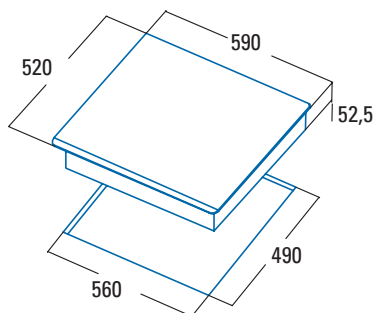
INDUCTION HOBS



INSB 6004 BK
Cod. **08040406** EAN **8422248077651**



- 4 cooking areas:**
 - Front Right: 1 area **with Booster function** of Ø185mm of 1.2kW (max. 1.5kW)
 - Rear Right: 1 area **with Booster function** of Ø200mm of 1.8kW (max. 2.3kW)
 - Front Left: 1 area **with Booster function** of Ø225mm of 2.3kW (max. 2.6kW)
 - Rear Left: 1 area **with Booster function** of Ø185mm of 1.2kW (max. 1.5kW)
- Slider Touch Control for each area**
- It has three **temperature functions:**
 - Melting / Defrosting (45-55°C)**
 - Heating / Keeping warm (65-70°C)**
 - Simmering (85-95°C)**
- 9 adjustable power levels + Booster
- Pause Function
- Timer function for each area
- Countdown alarm
- Automatic pan detection
- Safety lock
- Residual heat indicator
- Automatic safety switch-off
- Frontal bevel**
- 59 cm** wide
- Total power 7.2kW**



Code	08040406
EAN	8422248077651
Model	INSB 6004 BK
Type	Induction
Product fiche	
Cooking zones	4
Right front zone: Diameter (mm)	185
Right front zone: Power (kW)	1,2
Right front zone: Booster (kW)	1,5
Right front zone: Consumption (Wh/kg)	179,5
Right rear zone: Diameter (mm)	200
Right rear zone: Power (kW)	1,8
Right rear zone: Booster (kW)	2,3
Right rear zone: Consumption (Wh/kg)	179,2
Central front zone: Diameter (mm)	
Central front zone: Power (kW)	
Central front zone: Booster (kW)	
Central front zone: Consumption (Wh/kg)	
Central rear zone: Diameter (mm)	
Central rear zone: Power (kW)	
Central rear zone: Booster (kW)	
Central rear zone: Consumption (Wh/kg)	
Front left zone: Diameter (mm)	225
Front left zone: Power (kW)	2,3
Front left zone: Booster (kW)	2,6
Front left zone: Consumption (Wh/kg)	182,9
Left rear zone: Diameter (mm)	185
Left rear zone: Power (kW)	1,2
Left rear zone: Booster (kW)	1,5
Left rear zone: Consumption (Wh/kg)	182,8
Energy consumption of the hob (Wh/kg)	184
Dimensions	
Product width (mm)	590
Product depth (mm)	520
Product height (mm)	52,5
Built-in height (mm)	560
Built-in depth (mm)	490
Ventilation slot (mm)	5
Fixing system	Quick-Fix System
Finishing	
Colour	Black
Aesthetic	Front bevel
Control	
Control type	Independent Slider for each area
Power selection (+/-)	Individual per zone
Power levels	9 + Booster
Timer	Yes
Countdown alarm	Yes
Power management	No
Security	
Safety lock	Yes
Residual heat indicator	Yes
Automatic pan detection	Yes
Automatic safety switch-off	Yes
Protection against liquid spillage	Yes
Electrical connection	
Nominal voltage (V)	220-240
Mains frequency (Hz)	50-60
Max Product power (kW)	7,2