

INDUCTION HOBS



Giant Triple Area



TT 603

Cod. **08063107** EAN **8422248082525**

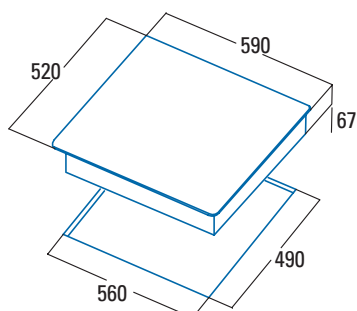
3 High Light cooking areas:

Front Right: 1 area of $\varnothing 185\text{mm}$ of 1.8kW

Rear Right: 1 area of $\varnothing 150\text{mm}$ de 1.2kW

Left: 1 **giant triple area** of $\varnothing 280/220/155\text{mm}$ of 2.7/1.95/1.05kW

- Touch Control with acoustic warning
- 9 adjustable power levels
- Safety lock
- Residual heat indicator
- Automatic safety switch-off
- 59 cm wide**
- Total power 5.7kW**



Code	08063107
EAN	8422248082525
Model	TT 603
Type	Radiant
Product fiche	
Cooking zones	3
Right front zone: Diameter (mm)	180
Right front zone: Power (kW)	1,8
Right front zone: Booster (kW)	-
Right front zone: Consumption (Wh/kg)	147
Right rear zone: Diameter (mm)	140
Right rear zone: Power (kW)	1,2
Right rear zone: Booster (kW)	-
Right rear zone: Consumption (Wh/kg)	147
Central front zone: Diameter (mm)	-
Central front zone: Power (kW)	-
Central front zone: Booster (kW)	-
Central front zone: Consumption (Wh/kg)	-
Central rear zone: Diameter (mm)	-
Central rear zone: Power (kW)	-
Central rear zone: Booster (kW)	-
Central rear zone: Consumption (Wh/kg)	-
Front left zone: Diameter (mm)	-
Front left zone: Power (kW)	-
Front left zone: Booster (kW)	-
Front left zone: Consumption (Wh/kg)	-
Left rear zone: Diameter (mm)	270/210/145
Left rear zone: Power (kW)	2,7/1,95/1,05
Left rear zone: Booster (kW)	-
Left rear zone: Consumption (Wh/kg)	140,1
Energy consumption of the hob (Wh/kg)	144,7
Dimensions	
Product width (mm)	590
Product depth (mm)	520
Product height (mm)	67
Built-in height (mm)	560
Built-in depth (mm)	490
Ventilation slot (mm)	-
Fixing system	Quick-Fix System
Finishing	
Colour	Black
Aesthetic	Rounded
Control	
Control type	Touch
Power selection (+/-)	Centralized
Power levels	9
Timer	No
Countdown alarm	No
Power management	No
Security	
Safety lock	Yes
Residual heat indicator	Yes
Automatic pan detection	No
Automatic safety switch-off	Yes
Protection against liquid spillage	Yes
Electrical connection	
Nominal voltage (V)	220-240
Mains frequency (Hz)	50-60
Max Product power (kW)	5,7