

## TD 6003



TD 6003

Cod. **08063403** EAN **8422248094207**

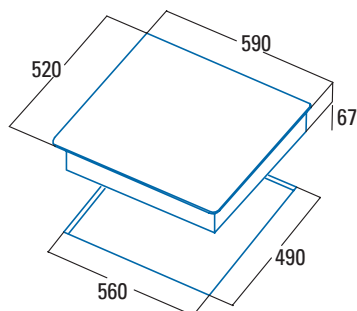
### 3 High Light cooking areas:

Front Right: 1 area of  $\varnothing 180$ mm of 1.8kW

Rear Right: 1 area of  $\varnothing 140$ mm of 1.2kW

Left: **1 giant double area** of  $\varnothing 270/210$ mm of 2.4/1.5kW

- Touch Control with acoustic warning
- 9 adjustable power levels
- Safety lock
- Residual heat indicator
- Automatic safety switch-off
- 59 cm** wide
- Total power 5.4kW**



<b>Code</b>	<b>08063403</b>
<b>EAN</b>	<b>8422248094207</b>
<b>Model</b>	<b>TD 6003</b>
<b>Type</b>	<b>Radiant</b>
<b>Product fiche</b>	
Cooking zones	3
<b>Right front zone: Diameter (mm)</b>	180
Right front zone: Power (kW)	1,8
Right front zone: Booster (kW)	-
Right front zone: Consumption (Wh/kg)	195,4
Right rear zone: Diameter (mm)	140
<b>Right rear zone: Power (kW)</b>	1,2
Right rear zone: Booster (kW)	-
Right rear zone: Consumption (Wh/kg)	185,4
Central front zone: Diameter (mm)	-
Central front zone: Power (kW)	-
<b>Central front zone: Booster (kW)</b>	-
Central front zone: Consumption (Wh/kg)	-
Central rear zone: Diameter (mm)	-
Central rear zone: Power (kW)	-
Central rear zone: Booster (kW)	-
<b>Central rear zone: Consumption (Wh/kg)</b>	-
Front left zone: Diameter (mm)	-
Front left zone: Power (kW)	-
Front left zone: Booster (kW)	-
Front left zone: Consumption (Wh/kg)	-
<b>Left rear zone: Diameter (mm)</b>	270/210
Left rear zone: Power (kW)	2,4/1,5
Left rear zone: Booster (kW)	-
Left rear zone: Consumption (Wh/kg)	193,5
Energy consumption of the hob (Wh/kg)	191,4
<b>Dimensions</b>	
Product width (mm)	590
Product depth (mm)	520
Product height (mm)	67
Built-in height (mm)	560
Built-in depth (mm)	490
Ventilation slot (mm)	-
Fixing system	Quick-Fix System
<b>Finishing</b>	
Colour	Black
Aesthetic	Rounded
<b>Control</b>	
Control type	Touch
Power selection (+/-)	Centralized
Power levels	9
Timer	No
Countdown alarm	No
Power management	No
<b>Security</b>	
Safety lock	Yes
Residual heat indicator	Yes
Automatic pan detection	No
Automatic safety switch-off	Yes
Protection against liquid spillage	Yes
<b>Electrical connection</b>	
Nominal voltage (V)	220-240
Mains frequency (Hz)	50-60
Max Product power (kW)	5,4