

**INSB 8021 BK**  
Cod. **08081401** EAN **8422248109536**

**4 cooking areas:**

- Front Right: 1 area **with Booster function** of Ø180mm of 1.2kW (max. 1.5kW)
- Center: 1 area **with Booster function** of Ø300mm of 2.3kW (max. 3kW)
- Front Left: 1 area **with Booster function** of 210 x 200mm of 1.5kW (max. 2kW)
- Rear Left: 1 area **with Booster function** of 210 x 200mm of 2kW (max. 2.8kW)
- 1 modular areas with Booster function** of 210x400mm of 3kW (max. 3.5kW)

**Slider Touch Control** for each area

It has three **temperature functions:**

**Melting / Defrosting (45-55°C)**

**Heating / Keeping warm (65-70°C)**

**Simmering (85-95°C)**

9 adjustable power levels + Booster

- Pause Function
- Timer function for each area
- Countdown alarm
- Automatic pan detection
- Safety lock
- Residual heat indicator
- Automatic safety switch-off

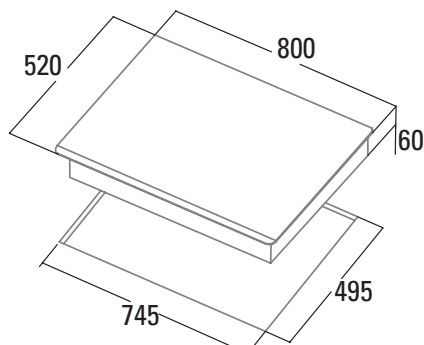
**Frontal bevel**

**80 cm wide**

**Total power 7.2kW**

► **Accessories (not included)**

Barbecue grill ..... Cod. 03017400 / EAN 8422248082563



<b>Code</b>	<b>08081401</b>
<b>EAN</b>	<b>8422248109536</b>
<b>Model</b>	<b>INSB 8021 BK</b>
<b>Type</b>	<b>Induction</b>
<b>Product fiche</b>	
Cooking zones	4
<b>Right front zone: Diameter (mm)</b>	180
Right front zone: Power (kW)	1,2
Right front zone: Booster (kW)	1,5
Right front zone: Consumption (Wh/kg)	179,5
Right rear zone: Diameter (mm)	-
<b>Right rear zone: Power (kW)</b>	-
Right rear zone: Booster (kW)	-
Right rear zone: Consumption (Wh/kg)	-
Central front zone: Diameter (mm)	-
Central front zone: Power (kW)	-
<b>Central front zone: Booster (kW)</b>	-
Central front zone: Consumption (Wh/kg)	-
Central rear zone: Diameter (mm)	300
Central rear zone: Power (kW)	2,3
Central rear zone: Booster (kW)	3
<b>Central rear zone: Consumption (Wh/kg)</b>	216,3
Front left zone: Diameter (mm)	210x200
Front left zone: Power (kW)	1,5
Front left zone: Booster (kW)	2
Front left zone: Consumption (Wh/kg)	182,9
<b>Left rear zone: Diameter (mm)</b>	210x200
Left rear zone: Power (kW)	2
Left rear zone: Booster (kW)	2,8
Left rear zone: Consumption (Wh/kg)	182,7
Energy consumption of the hob (Wh/kg)	190,4
<b>Dimensions</b>	
Product width (mm)	800
Product depth (mm)	520
Product height (mm)	60
Built-in height (mm)	745
Built-in depth (mm)	495
Ventilation slot (mm)	5
Fixing system	Quick-Fix System
<b>Finishing</b>	
Colour	Black
Aesthetic	Front bevel
<b>Control</b>	
Control type	Independent Slider for each area
Power selection (+/-)	Individual per zone
Power levels	9 + Booster
Timer	Yes
Countdown alarm	Yes
Power management	No
<b>Security</b>	
Safety lock	Yes
Residual heat indicator	Yes
Automatic pan detection	Yes
Automatic safety switch-off	Yes
Protection against liquid spillage	Yes
<b>Electrical connection</b>	
Nominal voltage (V)	220-240
Mains frequency (Hz)	50-60
Max Product power (kW)	7,2