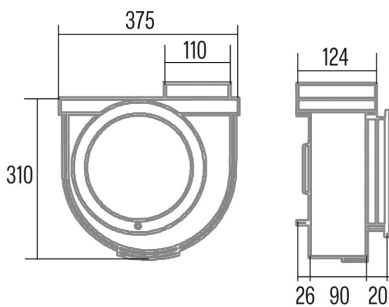




## GS-600 BK

Cod. 00116400

EAN 8422248357371



### INFORMACIÓN GENERAL

EAN/UPC	8422248357371
Subfamily	Kitchen Extractor

### Product fiche according to directives EU65/2014 - EN61591, EN60704-2-13, EN50564

AEC (Energy consumption per year) (kWh/año)	517
EEl class (Energy efficiency class)	C
FDE (Fluid dynamic efficiency)	125
FDE class (Fluid dynamic efficiency class)	E
Normal mode airflow MAX (m3/h)	480
Normal mode acoustic power MAX (dB)	50
Po (Off-mode power consumption) (W)	0
Ps (Stand-by power consumption) (W)	0

### Integration directive EU 66/2014

f (Factor Increase in the time)	16
EEl (Energy efficiency Index)	789
QBEP (Maximum airflow point efficiency) (m3/h)	3117
PBEP (Maximum pressure point efficiency) (Pa)	1316
WBEP (Electrical power consumption at maximum efficiency) (W)	914

### External Dimensions

Width (mm)	375
Depth (mm)	124
Maximum Total Height (mm)	360
Minimum Total Height (mm)	310

### Characteristics

Motor Quantity	1
Free Outlet Airflow (m3/h)	480
Control Technology	Commutator
Booster	-
Power levels	1
Timer	-
Filter Saturation Indicator	-
Charcoal Filter Change Indicator	-
Dimmer Function	-
Connectivity	No
Remote control	-

### Installation

Minimum distance to an electric cooktop (mm)	80
Minimum distance to a gas cooktop (mm)	80
Recirculation Option	-
Charcoal Filter	-
Back Draught Shutter	No

### Electric Connection

Rated voltage (V)	220-240
Rated frequency (Hz)	50/60
Rated power input (W)	105
Protection against electric shock	Class I