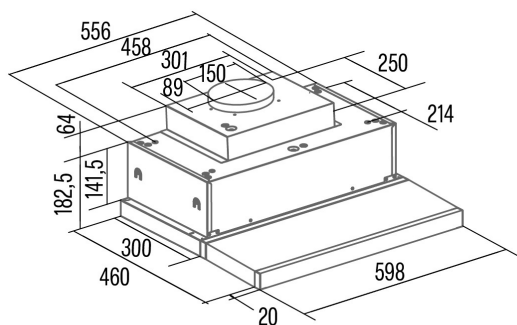




TFH 6830 GBK

Cod. **02010404**

EAN **8422248357364**



INFORMACIÓN GENERAL

EAN/UPC	8422248357364
Subfamily	Telescopic

Product fiche according to directives EU65/2014 - EN61591, EN60704-2-13, EN50564

AEC (Energy consumption per year) (kWh/año)	16,6
EEL class (Energy efficiency class)	A+++
FDE (Fluid dynamic efficiency)	41,11
FDE class (Fluid dynamic efficiency class)	A
LE (Light efficiency) (lux/W)	22,6
LE class (Light efficiency class)	B
GFE (Grease filtering efficiency)	66,4
GFE Class (Grease filtering efficiency class)	D
Normal mode airflow MIN (m3/h)	291
Normal mode airflow MAX (m3/h)	600
Boost mode airflow (m3/h)	795
Normal mode acoustic power MIN (dB)	46
Normal mode acoustic power MAX (dB)	64
Boost mode acoustic power (dB)	69
Po (Off-mode power consumption) (W)	0,3

Integration directive EU 66/2014

f (Factor Increase in the time)	0,5
QBEP (Maximum airflow point efficiency) (m3/h)	332,82
PBEP (Maximum pressure point efficiency) (Pa)	251,41
WBEP (Electrical power consumption at maximum efficiency) (W)	79,03
WL (Rated power lighting system) (W)	3
EMIDDLE (Average illuminance on the cooking surface) (lux)	79

External Dimensions

Width (mm)	598
Depth (mm)	320
Maximum Total Height (mm)	246
Minimum Total Height (mm)	246
Outlet Diameter (mm)	150

Characteristics

Motor Quantity	1
Motor Model	BT4DC
Maximum Pressure (Pa)	357
Control Technology	Electronic Touch Control
Booster	√
Power levels	6
Filter Saturation Indicator	√

Lighting

Light Model	SSLED
Lightning Technology	LED

Installation

Minimum distance to an electric cooktop (mm)	550
Minimum distance to a gas cooktop (mm)	650
Recirculation Option	√

Electric Connection

Rated voltage (V)	220-240
Rated frequency (Hz)	50/60
Rated power input (W)	138
Protection against electric shock	Class I

Accessories

Back Draught Shutter	02832004
Active Charcoal Filter	02859318
Noiseless Flexible Duct	02893002