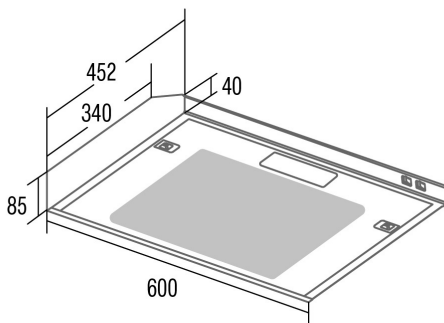




# LFK 6000 WH

Cod. 02011117

EAN 8422248357197



## INFORMACIÓN GENERAL

EAN/UPC	8422248357197
Subfamily	Conventional

### Product fiche according to directives EU65/2014 - EN61591, EN60704-2-13, EN50564

AEC (Energy consumption per year) (kWh/año)	29,6
EEl class (Energy efficiency class)	B
FDE (Fluid dynamic efficiency)	11,5
FDE class (Fluid dynamic efficiency class)	E
LE (Light efficiency) (lux/W)	15,5
LE class (Light efficiency class)	D
GFE (Grease filtering efficiency)	67,7
GFE Class (Grease filtering efficiency class)	D
Normal mode airflow MIN (m3/h)	108
Normal mode airflow MAX (m3/h)	162
Normal mode acustic power MIN (dB)	49
Normal mode acustic power MAX (dB)	58
Po (Off-mode power consumption) (W)	0
Ps (Stand-by power consumption) (W)	0

### Integration directive EU 66/2014

f (Factor Increase in the time)	1,6
EEl (Energy efficiency Index)	69,2
QBEP (Maximum airflow point efficiency) (m3/h)	91,5
PBEP (Maximum pressure point efficiency) (Pa)	211,9
WBEP (Electrical power consumption at maximum efficiency) (W)	47
WL (Rated power lighting system) (W)	3
EMIDDLE (Average illuminance on the cooking surface) (lux)	46,5

### External Dimensions

Width (mm)	600
Depth (mm)	425
Maximum Total Height (mm)	85
Minimum Total Height (mm)	85
Outlet Diameter (mm)	120

### Characteristics

Motor Quantity	1
Motor Model	L1B
Maximum Pressure (Pa)	318
Filter Technology	Achrylic
Control Tecnology	Mechanical rocker switch
Booster	-
Power levels	3
Timer	-
Filter Saturation Indicator	-
Charcoal Filter Change Indicator	-
Dimmer Function	-
Connectivity	-
Remote control	-
Display	-

### Lighting

Light Model	LED E-14
Lightning Technology	LED

### Installation

Minimum distance to an electric cooktop (mm)	550
Minimum distance to a gas cooktop (mm)	650
Recirculation Option	√

Charcoal Filter	-
Back Draught Shutter	-
Inner shield	-

---

### Electric Connection

Rated voltage (V)	220-240
Rated frequency (Hz)	50
Rated power input (W)	65,5
Protection against electric shock	Class I
Plug type	No plug

---

### Accessories

Upper Decorative Duct Extension	No
White Decorative Duct	No
Black Decorative Duct	No
Island Tube Enhancer	No
Back Draught Shutter	'02849002
Active Charcoal Filter	'02846764

---