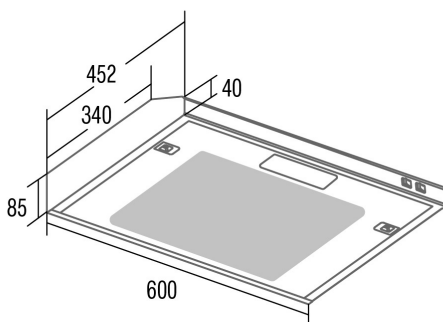




LFK 6000 X

Cod. 02011602

EAN 8422248357180



INFORMACIÓN GENERAL

EAN/UPC	8422248357180
Subfamily	Conventional

Product fiche according to directives EU65/2014 - EN61591, EN60704-2-13, EN50564

AEC (Energy consumption per year) (kWh/año)	29,6
EEl class (Energy efficiency class)	B
FDE (Fluid dynamic efficiency)	11,5
FDE class (Fluid dynamic efficiency class)	E
LE (Light efficiency) (lux/W)	15,5
LE class (Light efficiency class)	D
GFE (Grease filtering efficiency)	67,7
GFE Class (Grease filtering efficiency class)	D
Normal mode airflow MIN (m3/h)	108
Normal mode airflow MAX (m3/h)	162
Normal mode acustic power MIN (dB)	49
Normal mode acustic power MAX (dB)	58
Po (Off-mode power consumption) (W)	0
Ps (Stand-by power consumption) (W)	0

Integration directive EU 66/2014

f (Factor Increase in the time)	1,6
EEl (Energy efficiency Index)	69,2
QBEP (Maximum airflow point efficiency) (m3/h)	91,5
PBEP (Maximum pressure point efficiency) (Pa)	211,9
WBEP (Electrical power consumption at maximum efficiency) (W)	47
WL (Rated power lighting system) (W)	3
EMIDDLE (Average illuminance on the cooking surface) (lux)	46,5

External Dimensions

Width (mm)	600
Depth (mm)	425
Maximum Total Height (mm)	85
Minimum Total Height (mm)	85
Outlet Diameter (mm)	120

Characteristics

Motor Quantity	1
Motor Model	L1B
Maximum Pressure (Pa)	318
Filter Technology	Achrylic
Control Tecnology	Mechanical rocker switch
Booster	-
Power levels	3
Timer	-
Filter Saturation Indicator	-
Charcoal Filter Change Indicator	-
Dimmer Function	-
Connectivity	-
Remote control	-
Display	-

Lighting

Light Model	LED E-14
Lightning Technology	LED

Installation

Minimum distance to an electric cooktop (mm)	550
Minimum distance to a gas cooktop (mm)	650
Recirculation Option	√

Charcoal Filter	-
Back Draught Shutter	-
Inner shield	-

Electric Connection

Rated voltage (V)	220-240
Rated frequency (Hz)	50
Rated power input (W)	65,5
Protection against electric shock	Class I
Plug type	No plug

Accessories

Upper Decorative Duct Extension	No
White Decorative Duct	No
Black Decorative Duct	No
Island Tube Enhancer	No
Back Draught Shutter	'02849002
Active Charcoal Filter	'02846764
