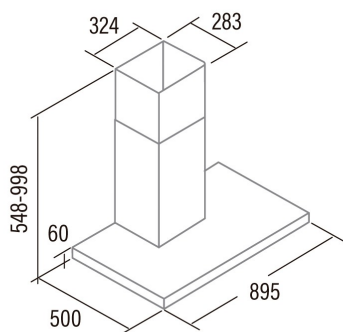




ST-9000 X

Cod. **02029309**

EAN **8422248108706**



INFORMACIÓN GENERAL

| | |
|-----------|---------------|
| EAN/UPC | 8422248108706 |
| Subfamily | Box |

Product fiche according to directives EU65/2014 - EN61591, EN60704-2-13, EN50564

| | |
|---|-------|
| AEC (Energy consumption per year) (kWh/año) | 36,4 |
| EEL class (Energy efficiency class) | C |
| FDE (Fluid dynamic efficiency) | 10,12 |
| FDE class (Fluid dynamic efficiency class) | E |
| LE (Light efficiency) (lux/W) | 38,9 |
| LE class (Light efficiency class) | A |
| GFE (Grease filtering efficiency) | 70,56 |
| GFE Class (Grease filtering efficiency class) | D |
| Normal mode airflow MIN (m3/h) | 165 |
| Normal mode airflow MAX (m3/h) | 302 |
| Normal mode acoustic power MIN (dB) | 58 |
| Normal mode acoustic power MAX (dB) | 62 |
| Po (Off-mode power consumption) (W) | 0 |

Integration directive EU 66/2014

| | |
|---|--------|
| f (Factor Increase in the time) | 1,6 |
| EEL (Energy efficiency Index) | 74,9 |
| QBEP (Maximum airflow point efficiency) (m3/h) | 192,63 |
| PBEP (Maximum pressure point efficiency) (Pa) | 110,53 |
| WBEP (Electrical power consumption at maximum efficiency) (W) | 58,45 |
| WL (Rated power lighting system) (W) | 2 |
| EMIDDLE (Average illuminance on the cooking surface) (lux) | 79 |

External Dimensions

| | |
|---------------------------|-----|
| Width (mm) | 900 |
| Depth (mm) | 500 |
| Maximum Total Height (mm) | 998 |
| Minimum Total Height (mm) | 548 |
| Outlet Diameter (mm) | 150 |

Characteristics

| | |
|----------------------------------|-------------------|
| Motor Quantity | 1 |
| Motor Model | TT300 |
| Filter Technology | Aluminium mesh |
| Control Technology | Mechanical slider |
| Booster | - |
| Power levels | 3 |
| Timer | - |
| Filter Saturation Indicator | - |
| Charcoal Filter Change Indicator | - |
| Dimmer Function | - |
| Connectivity | No |
| Remote control | - |
| Display | - |

Lighting

| | |
|----------------------|--------------|
| Light Model | ECOLED STRIP |
| Lightning Technology | LED |

Installation

| | |
|--|----------|
| Minimum distance to an electric cooktop (mm) | 65 |
| Minimum distance to a gas cooktop (mm) | 65 |
| Recirculation Option | √ |
| Charcoal Filter | - |
| Back Draught Shutter | Included |

Inner shield -

Electric Connection

| | |
|-----------------------------------|---------|
| Rated voltage (V) | 220-240 |
| Rated frequency (Hz) | 50/60 |
| Rated power input (W) | 67 |
| Protection against electric shock | Class I |
| Plug type | Type C |

Accessories

| | |
|---------------------------------|-----------|
| Upper Decorative Duct Extension | '02863305 |
| Back Draught Shutter | Yes |
| Active Charcoal Filter | 02859495 |
| Noiseless Flexible Duct | 02893002 |
