



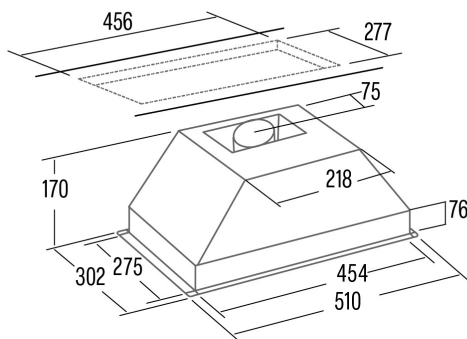
GRUPOS FILTRANTES



GK 4500 WH

Cod. **02039007**

EAN **8422248357142**



INFORMACIÓN GENERAL

EAN/UPC	8422248357142
Subfamily	Insert

Product fiche according to directives EU65/2014 - EN61591, EN60704-2-13, EN50564

AEC (Energy consumption per year) (kWh/año)	29,7
EEl class (Energy efficiency class)	B
FDE (Fluid dynamic efficiency)	19,3
FDE class (Fluid dynamic efficiency class)	C
LE (Light efficiency) (lux/W)	15,5
LE class (Light efficiency class)	D
GFE (Grease filtering efficiency)	63
GFE Class (Grease filtering efficiency class)	E
Normal mode airflow MIN (m3/h)	190
Normal mode airflow MAX (m3/h)	360
Normal mode acoustic power MIN (dB)	56
Normal mode acoustic power MAX (dB)	67
Po (Off-mode power consumption) (W)	0
Ps (Stand-by power consumption) (W)	0

Integration directive EU 66/2014

f (Factor Increase in the time)	1,3
EEl (Energy efficiency Index)	60,7
QBEP (Maximum airflow point efficiency) (m3/h)	199,7
PBEP (Maximum pressure point efficiency) (Pa)	202
WBEP (Electrical power consumption at maximum efficiency) (W)	58
WL (Rated power lighting system) (W)	3
EMIDDLE (Average illuminance on the cooking surface) (lux)	46,5

External Dimensions

Width (mm)	510
Depth (mm)	302
Maximum Total Height (mm)	170
Minimum Total Height (mm)	170
Outlet Diameter (mm)	120

Characteristics

Motor Quantity	1
Motor Model	K11 360
Maximum Pressure (Pa)	252
Filter Technology	Aluminium mesh
Control Technology	Mechanical slider
Booster	-
Power levels	2
Timer	-
Filter Saturation Indicator	-
Charcoal Filter Change Indicator	-
Dimmer Function	-
Connectivity	-
Remote control	-
Display	-

Lighting

Light Model	LED E-14
Lighting Technology	LED

Installation

Minimum distance to an electric cooktop (mm)	550
Minimum distance to a gas cooktop (mm)	650
Recirculation Option	-

Charcoal Filter	-
Back Draught Shutter	-
Inner shield	-

Electric Connection

Rated voltage (V)	220-240
Rated frequency (Hz)	50
Rated power input (W)	93
Protection against electric shock	Class II
Plug type	No plug

Accessories

Upper Decorative Duct Extension	No
White Decorative Duct	No
Black Decorative Duct	No
Island Tube Enhancer	No
Back Draught Shutter	'02849003
MAX PRO Metal Filter	No
Active Charcoal Filter	'02859489
Noiseless Flexible Duct	No
Recirculating kit	No
