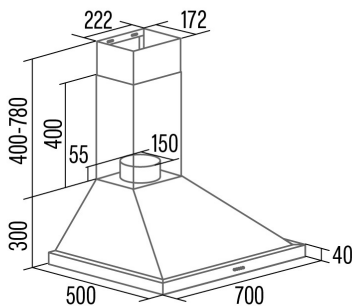




## BETA PRO 7000 BK

Cod. 02075420

EAN 8422248371551



### INFORMACIÓN GENERAL

|           |               |
|-----------|---------------|
| EAN/UPC   | 8422248371551 |
| Subfamily | Chimney       |

### Product fiche according to directives EU65/2014 - EN61591, EN60704-2-13, EN50564

|   |      |
|---|------|
| AEC (Energy consumption per year) (kWh/año)   | 64,1 |
| EEL class (Energy efficiency class)           | A    |
| FDE (Fluid dynamic efficiency)                | 29,2 |
| FDE class (Fluid dynamic efficiency class)    | A    |
| LE (Light efficiency) (lux/W)                 | 34   |
| LE class (Light efficiency class)             | A    |
| GFE (Grease filtering efficiency)             | 75,5 |
| GFE Class (Grease filtering efficiency class) | C    |
| Normal mode airflow MIN (m3/h)                | 407  |
| Normal mode airflow MAX (m3/h)                | 564  |
| Boost mode airflow (m3/h)                     | 971  |
| Normal mode acoustic power MIN (dB)           | 65   |
| Normal mode acoustic power MAX (dB)           | 72   |
| Boost mode acoustic power (dB)                | 75   |
| Po (Off-mode power consumption) (W)           | 0    |
| Ps (Stand-by power consumption) (W)           | 0,48 |

### Integration directive EU 66/2014

|   |       |
|---|-------|
| f (Factor Increase in the time)                               | 0,9   |
| EEL (Energy efficiency Index)                                 | 53,5  |
| QBEP (Maximum airflow point efficiency) (m3/h)                | 441,8 |
| PBEP (Maximum pressure point efficiency) (Pa)                 | 443   |
| WBEP (Electrical power consumption at maximum efficiency) (W) | 186,1 |
| WL (Rated power lighting system) (W)                          | 4,1   |
| EMIDDLE (Average illuminance on the cooking surface) (lux)    | 139,5 |

### External Dimensions

|                           |      |
|---------------------------|------|
| Width (mm)                | 700  |
| Depth (mm)                | 500  |
| Maximum Total Height (mm) | 1080 |
| Minimum Total Height (mm) | 700  |
| Outlet Diameter (mm)      | 150  |

### Characteristics

|                       |                                      |
|-----------------------|--------------------------------------|
| Motor Quantity        | 1                                    |
| Motor Model           | A1000                                |
| Maximum Pressure (Pa) | 501,17                               |
| Filter Technology     | Aluminium mesh                       |
| Control Technology    | PANEL ELECTRONICO<br>DISPLAY DIGITAL |
| Booster               | √                                    |
| Power levels          | 3                                    |
| Timer                 | √                                    |

### Lighting

|                     |        |
|---------------------|--------|
| Light Model         | ECOLED |
| Lighting Technology | LED    |

### Installation

|  |          |
|--|----------|
| Minimum distance to an electric cooktop (mm) | 550      |
| Minimum distance to a gas cooktop (mm)       | 650      |
| Charcoal Filter                              | -        |
| Back Draught Shutter                         | Included |

### Electric Connection

|                   |         |
|-------------------|---------|
| Rated voltage (V) | 220-240 |
|-------------------|---------|

---

|                                   |         |
|-----------------------------------|---------|
| Rated frequency (Hz)              | 50      |
| Rated power input (W)             | 383     |
| Protection against electric shock | Class I |
| Power cord length (m)             | 1,2     |
| Plug type                         | Type F  |

---

#### **Accessories**

---

|                        |          |
|------------------------|----------|
| Back Draught Shutter   | 02800706 |
| Active Charcoal Filter | 02800959 |

---