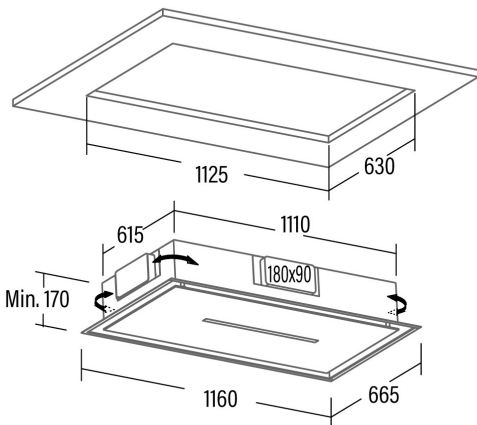


# ISLA BENNU SLIM 1200 X

Cod. **02111309**

EAN **8422248112642**



## INFORMACIÓN GENERAL

EAN/UPC	8422248112642
Subfamily	Ceiling

### Product fiche according to directives EU65/2014 - EN61591, EN60704-2-13, EN50564

AEC (Energy consumption per year) (kWh/año)	44,1
EEL class (Energy efficiency class)	B
FDE (Fluid dynamic efficiency)	25,2
FDE class (Fluid dynamic efficiency class)	B
LE (Light efficiency) (lux/W)	23,7
LE class (Light efficiency class)	B
GFE (Grease filtering efficiency)	91,2
GFE Class (Grease filtering efficiency class)	B
Normal mode airflow MIN (m3/h)	300
Normal mode airflow MAX (m3/h)	500
Boost mode airflow (m3/h)	620
Normal mode acoustic power MIN (dB)	50
Normal mode acoustic power MAX (dB)	65
Boost mode acoustic power (dB)	67
Po (Off-mode power consumption) (W)	0,3
Ps (Stand-by power consumption) (W)	0

### Integration directive EU 66/2014

f (Factor Increase in the time)	1,1
EEL (Energy efficiency Index)	60,7
QBEP (Maximum airflow point efficiency) (m3/h)	326,9
PBEP (Maximum pressure point efficiency) (Pa)	269,4
WBEP (Electrical power consumption at maximum efficiency) (W)	97,1
WL (Rated power lighting system) (W)	7
EMIDDLE (Average illuminance on the cooking surface) (lux)	166

### External Dimensions

Width (mm)	1160
Depth (mm)	665
Maximum Total Height (mm)	170
Minimum Total Height (mm)	170
Outlet Diameter (mm)	180x90

### Characteristics

Motor Quantity	1
Motor Model	S6
Maximum Pressure (Pa)	470
Filter Technology	Aluminium mesh
Control Technology	TFT
Booster	√
Power levels	4
Timer	√
Filter Saturation Indicator	-
Charcoal Filter Change Indicator	-
Dimmer Function	√
Connectivity	Auto
Remote control	√
Display	Display

### Lighting

Light Model	ECOLED
Lighting Technology	LED

### Installation

Minimum distance to an electric cooktop (mm)	550
--	-----

Minimum distance to a gas cooktop (mm)	650
Recirculation Option	√
Charcoal Filter	√
Back Draught Shutter	No
Inner shield	-

---

**Electric Connection**

Rated voltage (V)	220-240
Rated frequency (Hz)	50
Rated power input (W)	112
Protection against electric shock	Class I

---

**Accessories**

Active Charcoal Filter	02800922
------------------------	----------

---