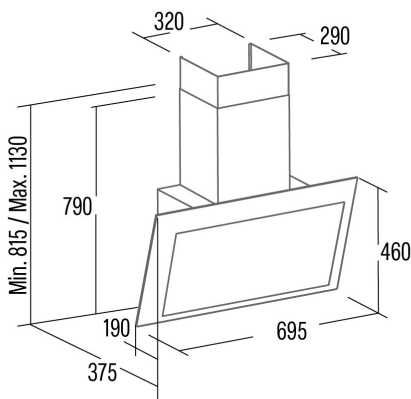




# THALASSA EVO NO DRIP 700 GBK

Cod. **02137409**

EAN **8422248356480**



## INFORMACIÓN GENERAL

EAN/UPC	8422248356480
Subfamily	Angle Glass

## Product fiche according to directives EU65/2014 - EN61591, EN60704-2-13, EN50564

AEC (Energy consumption per year) (kWh/año)	28,8
EEL class (Energy efficiency class)	A++
FDE (Fluid dynamic efficiency)	41,7
FDE class (Fluid dynamic efficiency class)	A
LE (Light efficiency) (lux/W)	21
LE class (Light efficiency class)	B
GFE (Grease filtering efficiency)	85,3
GFE Class (Grease filtering efficiency class)	B
Normal mode airflow MIN (m3/h)	300,2
Normal mode airflow MAX (m3/h)	624,1
Boost mode airflow (m3/h)	1016,5
Normal mode acoustic power MIN (dB)	44,6
Normal mode acoustic power MAX (dB)	62,1
Boost mode acoustic power (dB)	72,7
Po (Off-mode power consumption) (W)	0
Ps (Stand-by power consumption) (W)	0,35

## Integration directive EU 66/2014

<i>f</i> (Factor Increase in the time)	0,5
EEL (Energy efficiency Index)	33
QBEP (Maximum airflow point efficiency) (m3/h)	481,5
PBEP (Maximum pressure point efficiency) (Pa)	380
WBEP (Electrical power consumption at maximum efficiency) (W)	122
WL (Rated power lighting system) (W)	9
EMIDDLE (Average illuminance on the cooking surface) (lux)	187

## External Dimensions

Width (mm)	700
Depth (mm)	375
Maximum Total Height (mm)	1130
Minimum Total Height (mm)	815
Outlet Diameter (mm)	150

## Characteristics

Motor Quantity	1
Motor Model	BT5DC-1000
Filter Technology	Aluminium mesh
Control Technology	Electronic Touch Control
Booster	✓
Power levels	6
Timer	✓
Filter Saturation Indicator	✓
Charcoal Filter Change Indicator	✓
Dimmer Function	✓
Connectivity	✓
Remote control	-
Display	Display

## Lighting

Light Model	SSLED BICOLOR
Lighting Technology	LED

## Installation

Minimum distance to an electric cooktop (mm)	550
Minimum distance to a gas cooktop (mm)	650

Recirculation Option	√
Charcoal Filter	√
Back Draught Shutter	-
Inner shield	-

---

#### Electric Connection

Rated voltage (V)	220-240
Rated frequency (Hz)	50/60
Rated power input (W)	259
Protection against electric shock	Class II
Power cord length (m)	1
Plug type	No plug

---

#### Accessories

Upper Decorative Duct Extension	02861300
White Decorative Duct	02861001
Black Decorative Duct	02861401
Back Draught Shutter	02832004
Active Charcoal Filter	02859398
Noiseless Flexible Duct	02893002
Recirculating kit	02800013

---