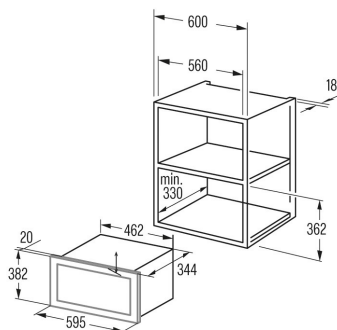




MMA 20 X

Cod. 07510308

EAN 8422248077170



INFORMACIÓN GENERAL

EAN/UPC	8422248077170
Subfamily	Built-in

Dimensions

Cavity height [mm]	595
Cavity width [mm]	388
Cavity depth [mm]	347
Cavity capacity [L]	20
Cavity Type	Stainless steel
Width (mm)	218
Height (mm)	295
Depth (mm)	314
Built-in Width (mm)	560
Built-in Height (mm)	362
Built-in Depth (mm)	330

Characteristics

Installation type	Built_in
Door opening System	Push button
Inside light	√

Control

Control type	Mechanic
Display	No
Display Color	No
Timer	Mechanic
Max Timer set [min]	35
Start/Stop button	-
Power selector	√
Function selector	-
Temperature selector	-
Weight selector	-
Number of functions	9
Functions	Simultaneous_grill_microwave;Defrostin

Safety

Safety thermostat	√
Safety automatic disconnection	-
Child safety lock	-
Nº of glasses in the door	1

Power connection

Grill power [kW]	1
Microwave power [W]	800
Rated power [W]	1250
Voltage [V]	230
Frecuency [Hz]	50
Power cord length [m]	1000
Plug type	Type F

Accessories

Built in frame	Integrated with frame
Ventilation kit	-
Rotatory removable glass	√
Diameter of glass dish [mm]	245